



1600 x 3200 mm

LARGE SLABS



StonEra
Collection

StonEra

Collection

"StonEra" represents a blend of natural materials and modern architectural design, focusing on sustainability and creative applications of stone in contemporary projects. It symbolizes a shift toward building durable, timeless, and visually appealing structures that honour both tradition and modern requirements.

2 Series

2 Technology

5 New Surfaces

20 Unique Designs

51 SKU's





ARRAYSTONE (Natural Matt Full-Body)

Pioneering with TRIPLE-LAYERED TECHNOLOGY

ArrayStone redefines surface innovation with its diverse spectrum of fullbody colors, setting a new standard in the industry. The foundational strength is complemented by digitally printed layers of intricate patterns and designs, crowned with a matt coating layer to give a luxurious finish. These subtle surfaces promises enduring beauty that lasts for generations.



SHIMMER (Glittering Mirror Polish)

Embrace sophistication with tiles with a flat surface, mirror - like Sheen, and star - like brilliance. The small glitter enhances the overall aesthetic appeal of any space. Shimmer is the premium surface that aligns with contemporary elegance and timeless style, elevating your interior design to a realm of unparalleled refinement.



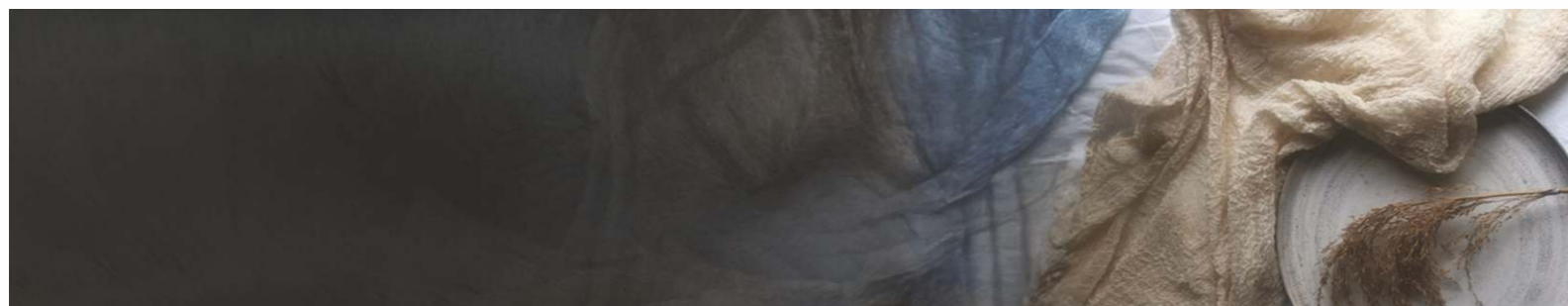
ERISO (Mirror Polish)

The surface of these tiles is impeccably flat, devoid of any waviness or imperfections. The surface boasts a flawless finish, resembling a polished mirror, reflecting light with pristine clarity. Their smoothness creates a sleek and elegant appearance, enhancing the aesthetic appeal of any space they adorn. With their mirror like reflection, they lend an air of sophistication and modernity to interiors, captivating the eye with their pristine sheen. Whether in bathrooms, kitchens, or living areas, these tiles exude a sense of luxury and refinement, elevating the ambiance with their impeccable surface.



MELLOW (Superior Soft Matt)

Explore the synergy of style and functionality with Mellow Surface having a satiny touch. The smoothness redefines modern aesthetics and enhances tactile experiences. It - enhances the richness of surroundings with eye catching patterns and eccentric designs. Its refined texture exudes sophistication while seamlessly integrating with diverse interior design schemes, elevating spaces with an understated elegance that captivates the senses



PASHMINA (Natural Matt)

The exceptional surface, Pashmina, has unmatched smoothness, setting a new standard in surface quality. Its distinctive matt finish not only enhances its aesthetic appeal but also adds tactile dimension to its allure. With Pashmina, we have redefined the concept of surface perfection, offering a blend of elegance and functionality unparalleled in the industry.

1600x3200mm



12mm Thickness

Experience the grandeur of StonEra with its expansive 1600x3200mm size. The 12mm thickness provides a perfect balance of strength and manageability, making it suitable for various applications while ensuring ease of installation and handling. This combination of size and thickness creates a striking visual impact while maintaining practicality.

Designed Exclusive for
'Marblex' Segment

APPLICATION AREAS



Counter Top



Staircase



Elevation



Work Top



Door Frame



Bathroom



Lift Frame



Fire Place



Dining
Table Top



Wall & Floor
Cladding



Basin &
Furniture



Window
Frame



NECHROCK SERIES



MOUNT SIENA



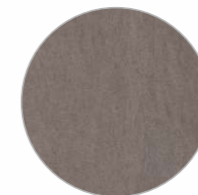
EARTH CEMENTA



GEM PERSIAN



COASTEL CHEPPO

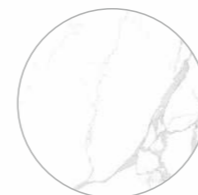


TRUNK BASALT

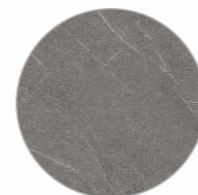


CLOUD EMERALD

ARCHSTONE SERIES



STATUARIO OYSTER



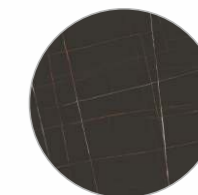
PIETRA STRIKE



CARRA BRONZE



CALACUTTA KOPER



LAURENTIS



STATUARIO BELLO



VIOLA GRIGIO



CRYSTAGONIA



ROCK ANGELO BM



NOVATINO



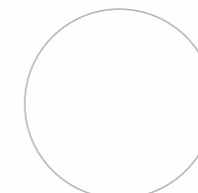
GEM ONYX



TEAL ONYX



SHORE AMAZON



GLISTER BIANCO



NECHROCK SERIES

Nechrock refers to rocks that are inspired by nature and specifically designed for use by architects. This concept emphasizes the harmony between natural forms and modern design, highlighting materials that not only showcase the beauty of the natural world but also meet the functional and aesthetic needs of contemporary architecture. Nechrock aims to create a seamless connection between built environments and their natural surroundings.



MOUNT SIENA

MOUNT SIENA



Nechrock
Series

Available Surface:
Arraystone



Scan For
360° View



1600x
3200mm | 12mm
THICKNESS | FULL
BODY

StonEra
Collection



EARTH CEMENTA

EARTH CEMENTA



Nechrock
Series

Available Surface:
Arraystone



Scan For
360° View



1600x
3200mm | 12mm
THICKNESS | FULL
BODY

StonEra
Collection



GEM PERSIAN



Nechrock
Series

Available Surface:
Arraystone



Scan For
360° View



1600x
3200mm | 12mm
THICKNESS | FULL
BODY

StonEra
Collection



COASTEL CHEPPO



Nechrock
Series

Available Surface:
Arraystone



Scan For
360° View



1600x
3200mm | 12mm
THICKNESS | FULL
BODY



TRUNK BASALT

TRUNK BASALT



Nechrock
Series

Available Surface:
Arraystone



Scan For
360° View



1600x
3200mm | 12mm
THICKNESS | FULL
BODY

StonEra
Collection



CLOUD EMERALD

CLOUD EMERALD



Nechrock
Series

Available Surface:
Arraystone



Scan For
360° View



1600x
3200mm | 12mm
THICKNESS | FULL
BODY

StonEra
Collection



ARCHSTONE SERIES

The term "Archstone" combines "Architect" and "Stone," representing a material specifically designed to meet the aesthetic and structural needs of architects. This concept emphasises the importance of stone as a crafted element that enhances architectural vision. Archstone symbolises the harmony between natural materials and innovative design, showcasing how thoughtfully selected stones can elevate both the beauty and functionality of structures. It reflects a commitment to quality and creativity in the built environment.



STATUARIO OYSTER

STATUARIO OYSTER



Archstone
Series

Available Surface:
**Shimmer, Eriso,
Mellow, Pashmina**



Scan For
360° View



1600x
3200mm | 12mm
THICKNESS | COLOUR
BODY

StonEra
Collection



PIETRA STRIKE

PIETRA STRIKE



Archstone
Series

Available Surface:
**Shimmer, Eriso,
Mellow, Pashmina**



Scan For
360° View



1600x
3200mm | 12mm
THICKNESS | COLOUR
BODY

StonEra
Collection



CARRA BRONZE

CARRA BRONZE



Archstone
Series

Available Surface:
**Shimmer, Eriso,
Mellow, Pashmina**



Scan For
360° View



1600x
3200mm | 12mm
THICKNESS | COLOUR
BODY

StonEra
Collection



CALACUTTA KOPER

CALACUTTA KOPER



Archstone
Series

Available Surface:
**Shimmer, Eriso,
Mellow, Pashmina**



Scan For
360° View

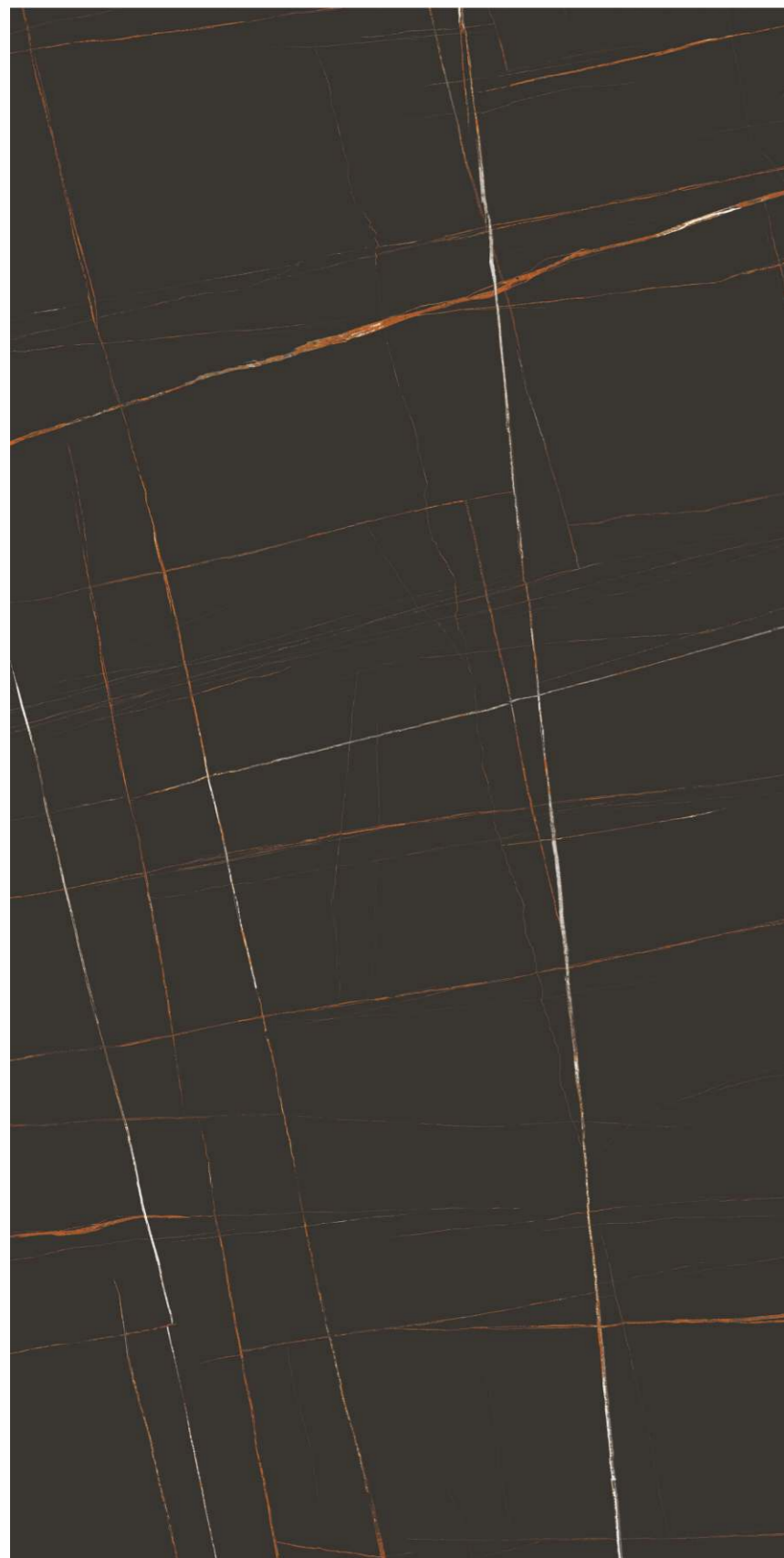


1600x
3200mm | 12mm
THICKNESS | COLOUR
BODY

StonEra
Collection



LAURENTIS



Archstone
Series

Available Surface:
**Shimmer, Eriso,
Mellow, Pashmina**



Scan For
360° View



1600x 3200mm	12mm THICKNESS	COLOUR BODY
-----------------	-------------------	----------------

StonEra
Collection



STATUARIO BELLO



Archstone
Series

Available Surface:
Shimmer, Eriso, Mellow



Scan For
360° View



1600x
3200mm | 12mm
THICKNESS | COLOUR
BODY

StonEra
Collection



VIOLA GRIGIO

VIOLA GRIGIO



Archstone
Series

Available Surface:
Shimmer, Eriso, Mellow



Scan For
360° View



1600x
3200mm | 12mm
THICKNESS | COLOUR
BODY

StonEra
Collection



CRYSTAGONIA

CRYSTAGONIA



LARGE SLABS

Archstone
Series

Available Surface:
Shimmer, Eriso, Mellow



Scan For
360° View



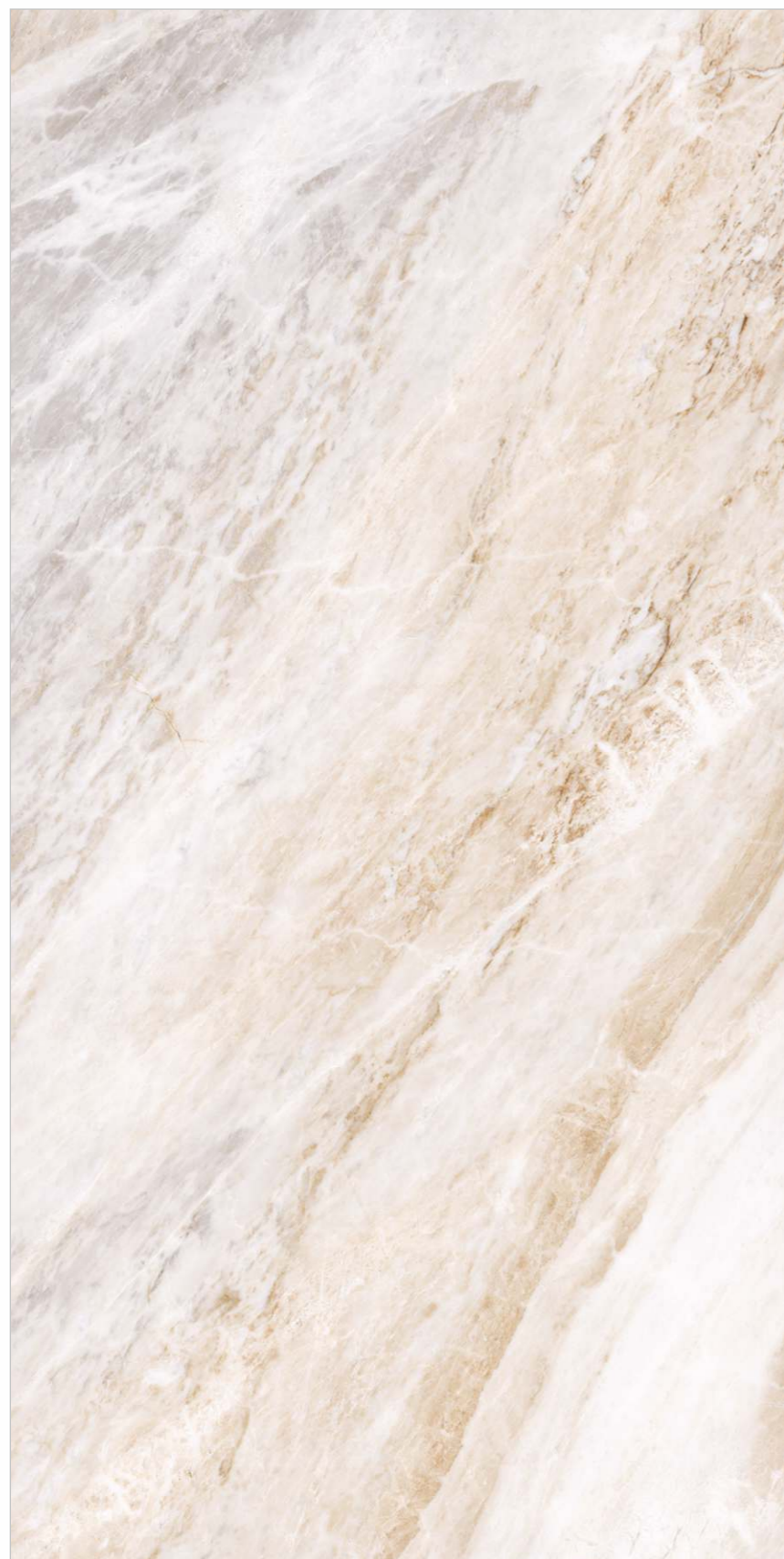
1600x
3200mm | 12mm
THICKNESS | COLOUR
BODY

StonEra
Collection



ROCK ANGELO BM

ROCK ANGELO BM



Archstone
Series

Available Surface:
Shimmer, Eriso, Mellow



Scan For
360° View



1600x
3200mm | 12mm
THICKNESS | COLOUR
BODY

StonEra
Collection



NOVATINO



Archstone
Series

Available Surface:
Shimmer, Eriso, Mellow



Scan For
360° View



1600x 12mm COLOUR
3200mm THICKNESS BODY



GEM ONYX



Archstone
Series

Available Surface:
Shimmer, Eriso, Mellow



Scan For
360° View



1600x
3200mm | 12mm
THICKNESS | COLOUR
BODY

StonEra
Collection



TEAL ONYX

TEAL ONYX



Archstone
Series

Available Surface:
Shimmer, Eriso, Mellow



Scan For
360° View



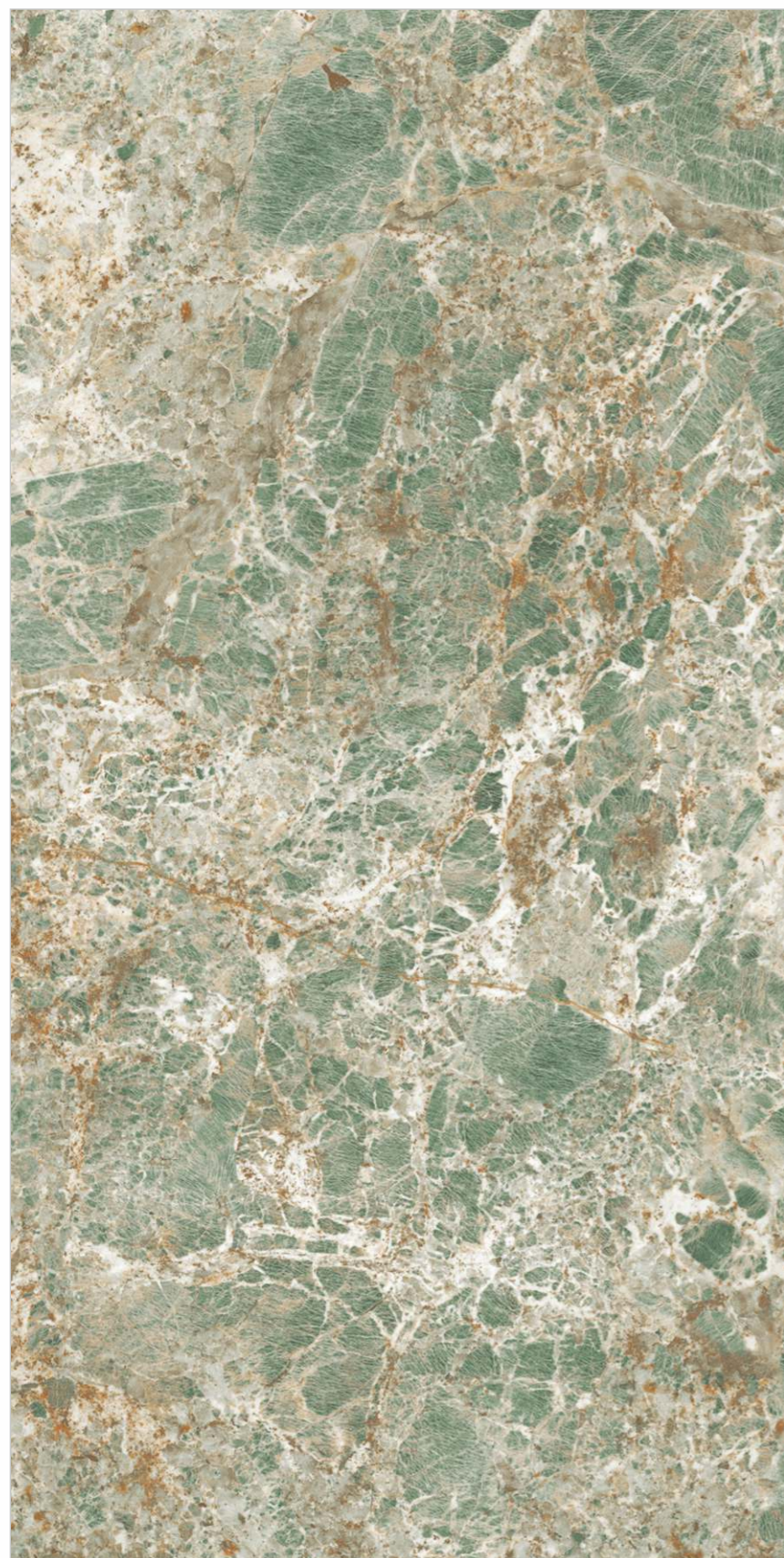
1600x
3200mm | 12mm
THICKNESS | COLOUR
BODY

StonEra
Collection



EXPOSITION D'ART
MUSÉE DES ARTS BOTANQUES
100 Avenue de la République
75011 Paris

SHORE AMAZON



Archstone
Series

Available Surface:
Shimmer, Eriso, Mellow



Scan For
360° View

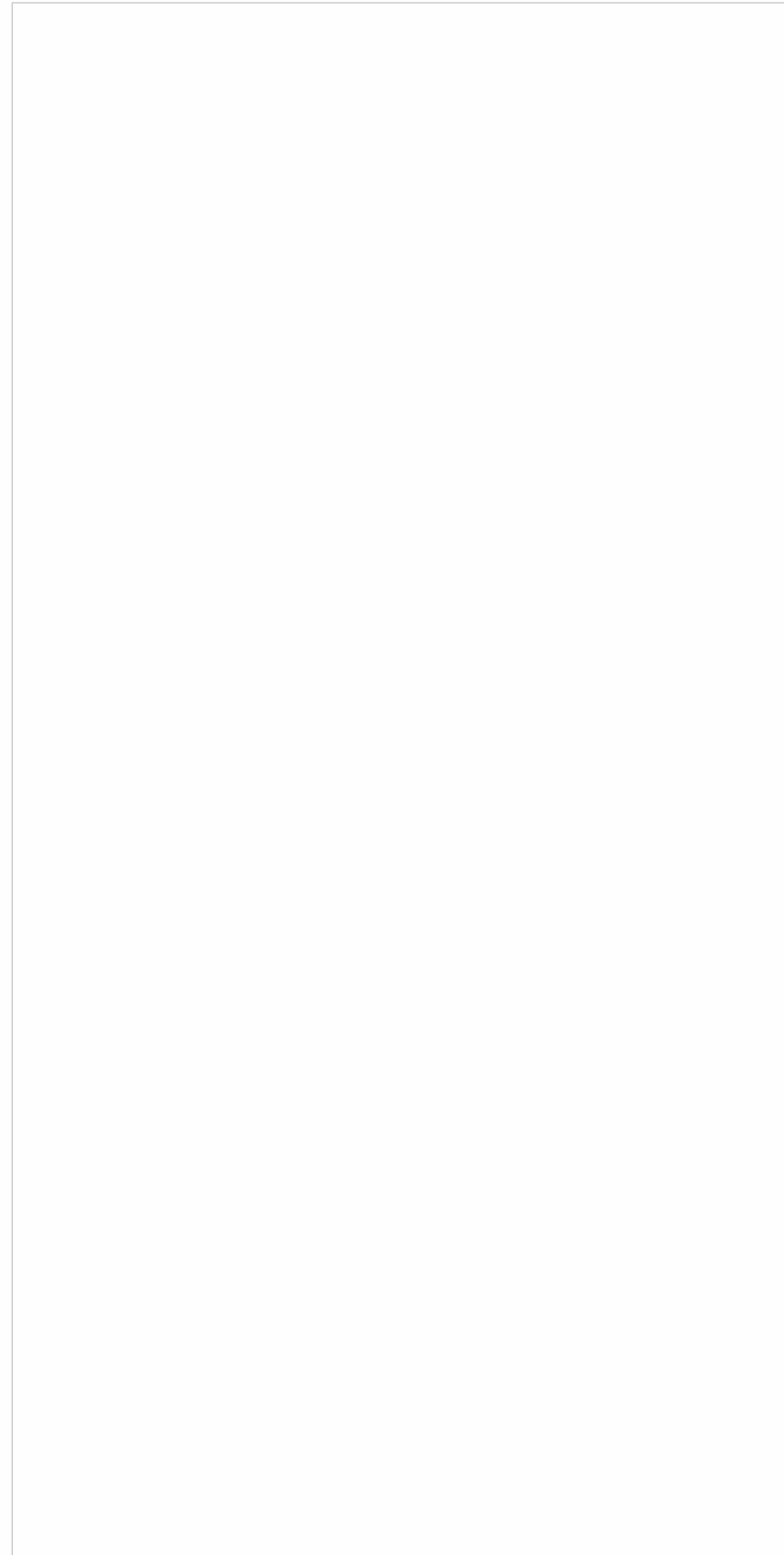


1600x
3200mm | 12mm
THICKNESS | COLOUR
BODY



GLISTER BIANCO

GLISTER BIANCO



Archstone
Series

Available Surface:
Shimmer



Scan For
360° View



1600x
3200mm | 12mm
THICKNESS | COLOUR
BODY

StonEra
Collection

	CHARACTERISTIC	METHOD OF TESTING	UNITS	STANDARD AS PER ISO13006:2018 / EN14411 Gr.Bla	STONERA (AGL)
REGULATORY PROPERTIES	Deviation in Length and Width*	ISO 10545-2	mm	±0.30 % (±1.00 mm)	±1.0 mm (±0.20 %)
	Deviation in Thickness*	ISO 10545-2	mm	±5.0 % (± 0.50 mm)	±0.5 mm (±5.0 %)
	Straightness in Side*	ISO 10545-2	mm	±0.30 % (± 0.80 mm)	±0.8 mm (±0.20 %)
	Rectangularity*	ISO 10545-2	mm	±0.30 % (±1.50 mm)	±1.2 mm (±0.20 %)
	Surface Flatness Central Curvature*	ISO 10545-2	mm	±0.40 % (± 1.80 mm)	±1.8 mm (±0.20 %)
	Surface Flatness Edge Curvature*	ISO 10545-2	mm	±0.40 % (± 1.80 mm)	±1.8 mm (±0.20 %)
	Surface Flatness Warpage*	ISO 10545-2	mm	±0.40 % (± 1.80 mm)	±1.8 mm (±0.20 %)
	Surface Quality	ISO 10545-2	%	>95% defects free	>95% defects free
	Small Colour Difference (For Plain Colour)	ISO 10545-16	ΔE	ΔE <1.00	ΔE <0.80
STRUCTURAL PROPERTIES	Water Absorption	ISO 10545-3	%	≤0.50 %	≤0.05 %
	Bulk Density	ISO 10545-3	gm/cc	As per Manufacturer	> 2.28 gm/cc
MASSIVE MECHANICAL PROPERTIES	Modulus of Rupture	ISO 10545-4	N/mm ²	Min. 35.0 N/mm ²	Min. 45.0 N/mm ²
	Breaking Strength Thickness >7.5 mm (12 mm)	ISO 10545-4	N	Min 1300.0 N	Archstone Min 1200.0 N Nechrock : Min 2500.0 N
SURFACE MECHANICAL PROPERTIES	MOH'S Hardness	BS EN 15771	Number	As per Manufacturer	Shimmer : Min 4-5, Eriso : Min 4-5 Mellow : Min 4-5, Pashmina : Min 6 Arraystone : Min 6
	Surface Abrasion Resistance	ISO 10545-7	Class	As per Manufacturer	Shimmer : PEI II, Eriso : PEI II Mellow : PEI II, Pashmina : PEI III Arraystone : PEI III
	Deep Abrasion	ISO 10545-6	mm ³	<175 mm ³	Shimmer : PEI II, Eriso : PEI II Mellow : PEI II, Pashmina : PEI III Arraystone : PEI III
THERMAL HYGROMETRIC PROPERTIES	Moisture Expansion	ISO 10545-10	mm/m	Max 0.06% (0.6 mm/m)	Max 0.02 mm/m
	Thermal Expansion (COE) at 100°C	ISO 10545-8	°C ⁻¹	As per Manufacturer	Max. 6.0 x 10 ⁻⁶
	Thermal Shock Resistance	ISO 10545-9	Cycles	Min 10 Cycle	Min 10 Cycle
	Impact Resistance (COR)	ISO 10545-5	o - 1 value	Min. 0.55	Min 0.55
	Frost Resistance	ISO 10545-12	Cycles	As per Manufacturer	Frost Resistance
	Crazing Resistance at 7.5 bar	ISO-10545-11	4 Cycle	As per Manufacturer	6 Cycle
CHEMICAL PROPERTIES	Resistance to Staining	ISO 10545-14	class	Min. Class 3	Min. Class 4
	Resistance to Household Chemicals & Swimming Pool Salts	ISO 10545-13	class	Min Class GB	Min Class GB / Min Class AA
	Resistance to Low Concentrate Acid and Alkalis	ISO-10545-13	class	As per Manufacturer	Min Class GLB
	Resistance to High Concentrate Acid and Alkalis	ISO-10545-13	class	As per Manufacturer	A**
SAFETY PROPERTIES	Skid Resistance - (DCOF-WET PENDULUM)	ASTM E-303	DCOF	As per Manufacturer	As per Surface
	Slip Resistance - (DCOF- R Value)	DIN 51130	R value	As per Manufacturer	As per Surface
	Lead and Cadmium release (lead Concentration)	ISO-10545-15	mg/dm ²	As per Manufacturer	<0.01 mg/dm ²
	Lead and Cadmium release (Cadmium Concentration)	ISO-10545-15	mg/dm ²	As per Manufacturer	<0.001 mg/dm ²
* Whichever is less is applicable for Rectified Size N>=15 CM					
** Except Hydrofluoric Acid & it's Component					
Note: Length and width, orthogonality and straightness are not applicable for the NOT-rectified material.					

Edge Types



Flat



1/4 Bevel



1/4 Radius



1/2 Bullnose



Full Bullnose



Knife



Birds Beak



45° Corner



Soft Corner

Application Areas



Kitchen Counter Top



Vanity Top



Bathtub



Wash Basin



Table Top



Window and Door Sill



Floor & Wall



Staircase



Shower Base



Dining Table



Shelves

Pallet & Container Packing

Size	Thickness	sq. mtr/ Slab	Weight/ Slab	Pallet Type	Slabs/ Pallet	Weight/ Pallet	Pallet/ Container	Slabs/ Container	sq. mtr/ Container	Weight/ Container	Size of Container
3200x1600mm	12mm	5.12	145.0 kg	A-Frame	20 Slabs	3010kg	9	180	921.60	27090kg	40 ft
3200x1600mm	12mm	5.12	145.0 kg	Crate	20 Slabs	3050kg	7	140	716.80	21350kg	20 ft

TRANSPORTING STONERA ADVANCED SURFACES

When removing the StonEra from the A-frame (Fig-A), it is necessary to do it from alternate sides for greater safety. Removing one stone from one side and the next one from the other side keeps the load symmetrical and more stable. To move single StonEra slab and position it on a rock or a machine that will process it to the finished stone, it is possible to use suction pad lifting equipment with several grab points supported by an overhead travelling crane (Fig-B) or a jib crane, depending on the weight of the individual slab.

The single slab can be moved overhead with cloth straps (Fig-C) or slings coated in rubber with overhead crane or with forklift truck (Fig-D). Never use chains or steel cable because these materials can damage the surface and edges. In fact, chains and steel would scratch the surfaces of stone and could leave steel residue on natural materials which would then require careful cleaning.

If handling with grippers, insert rubber grip covers to protect the slab.

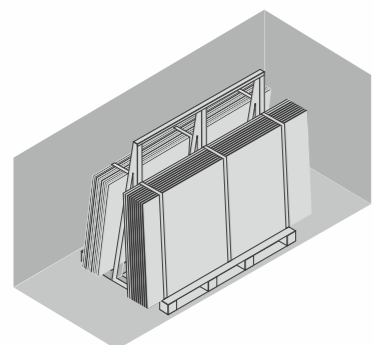


Fig-A

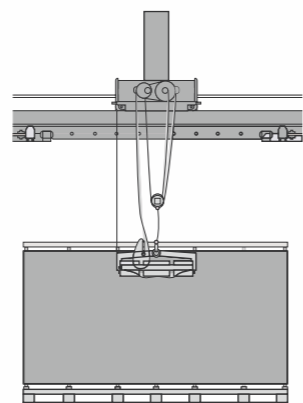


Fig-B

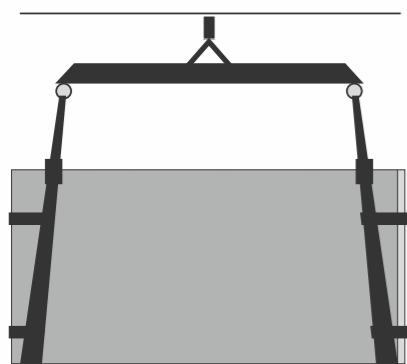


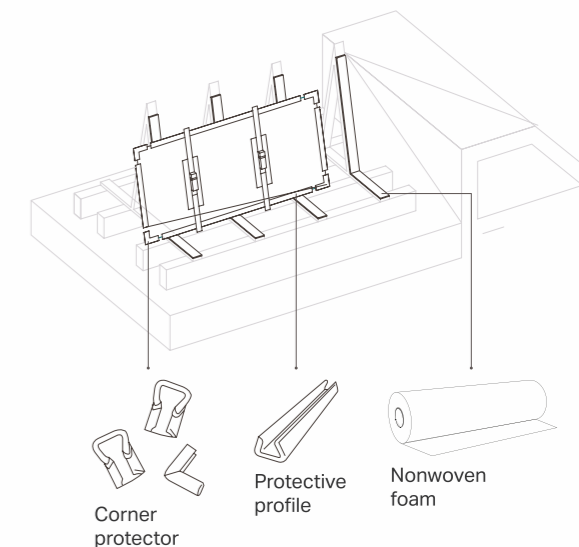
Fig-C



Fig-D

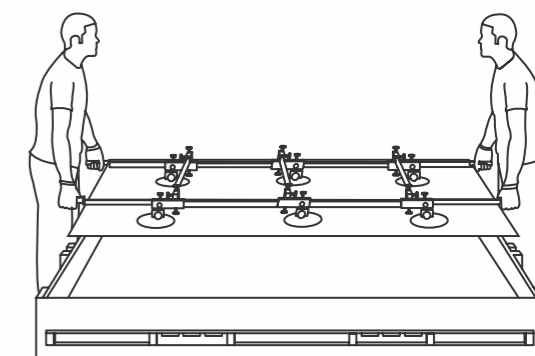
TRANSPORTING BY LORRY

Place the material, with all edges and corners protected, vertically on trestles, securing them with canvas slings and protecting the ratchets. Special care must be taken with pieces with holes made in the workshop



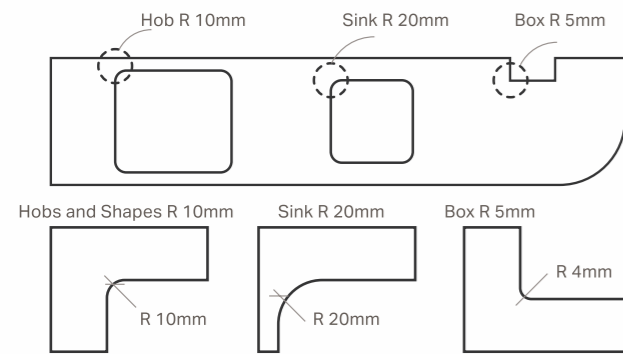
MOVEMENT WITH MANUAL SUCTION CUPS

For handling 12 mm slabs efficiently and securely, it is recommended to use specialized suction cup runners and frames. Two types of suction cups are available: traditional and pump-equipped. The pump-equipped suction cups are preferable as they offer a stronger grip and the ability to re-establish the vacuum using the built-in pump, even after some time. Always ensure a strong vacuum seal between the lifting device and the slabs surface for safe handling and installation. grip and the ability to re-establish the vacuum using the built-in pump, even after some time. Always ensure a strong vacuum seal between the lifting device and the slabs surface for safe handling and installation.



WORKING WITH THE VARIOUS VERSION OF STONERA ADVANCED SURFACES

CUTOUTS



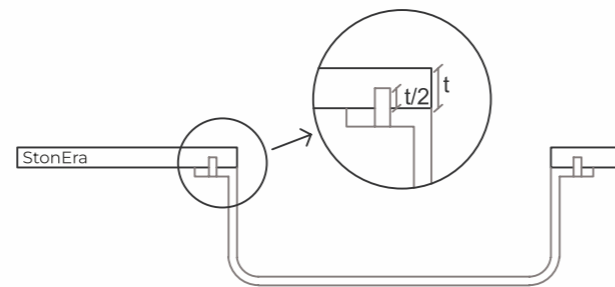
A minimum of 4mm radius is mandatory for inside corners except for L Shapes, where 10mm is required. Below are recommended examples of cut-outs for fittings such as sinks, hobs, columns, etc.

EDGES FINISHING

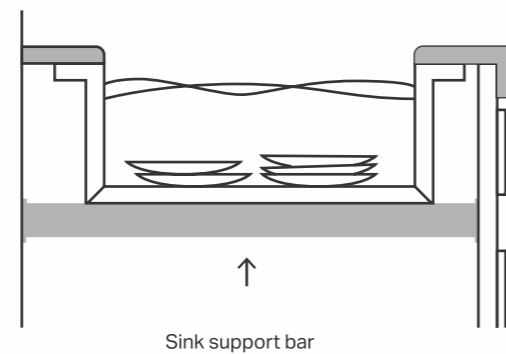


Edges can be finished by using sanding discs fitted onto hand held angle grinder. The same result can be obtained by hand using abrasive diamond sponges or emery paper. With a light passage on the side of the slab, you can obtain a slightly rounded-off edge or with repeated passages a bevelled effect.

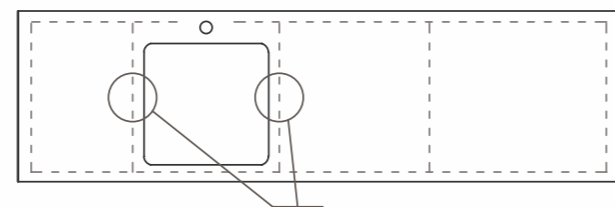
DRILLS & SLITS



All incisions, slits or drills must pass through the material a maximum of half of the thickness.

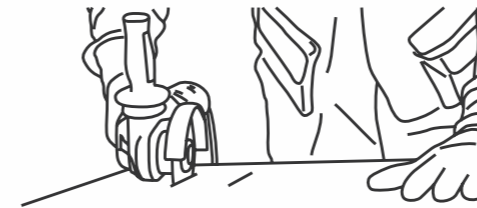


Furthermore, for large sinks, we recommend placing support bars under the sink, so that its weight is borne by the bars and not (by) the worktop.



Assure, the countertop support on the cabinet rails surrounding the cut out.

CUTTING WITH DIAMOND DISCS



All products of StonEra can be cut using diamond discs fitted onto the hand-held electrical grinding machine. In this case, the SLAB will have a cleaner and better defined edge than by cutting and breaking the SLAB.

Before starting, check the following:

- The cutting table should be solid and robust.
- It must be perfectly flat and levelled (the quality is improved using a Rubber surface, to buffer the blade vibrations).
- Check that the surface that the SLAB placed on is in good condition (the piece is perfectly supported and there are no surface irregularities that affects the adhesion of the StonEra is Surfaces).
- Only use standardized blades to cut StonEra Advanced Surfaces. Generally, these tools work at slow speeds and are highly cooled.
- The blade must be in good condition (the tool should be within its product life cycle and there should be no surface damage).
- The cooling process for this type of work is very important. The coolant flow must point directly at the cutting point and not indirectly. Use the maximum flow allowed by the machinery.
- If it is a special machine where the cutting process can be carried out immersed in water, this process should always be used to optimize the cooling process, to improve the surface quality and extend the life of the tool.

The recommended cutting speeds of blades for StonEra are as follows:

- For 12 mm StonEra.
1 m/min - 1.5 m/min*

* Depending on the type of blade to be used and the brand, it is necessary to adjust the specific revolutions and speeds. To do so, use a suitable blade depending on the type of machinery available. If the machine has a frequency converter, any blade out of those recommended can be used, by simply adjusting the revolutions.

Requirements of machine

- Cooling water flow focused on the cutting area
- Use large flange
- Support of larger dimension of the StonEra Advanced Surfaces
- Sharpen frequently the diamond
- Well-levelled bed support
- Blade depth 1/8 inch to 3/16 inch on the cutting bed
If the edges of the SLAB are sharp or uneven after it has been broken, clean and smooth the edges with a diamond pad or abrasive discs.

CORPORATE OFFICE & BRANCHES

DISPLAY CENTRE & OFFICE

GUJARAT

Display Centre - Ahmedabad
AGL Luxury Tile Arcade
S.G. Highway, Nr. Gota Cross Road,
Beside Gota over bridge, Ahmedabad - 382481.
Mobile: 98258 03713 / 99099 29920
E-mail: asianworld.amd@aglasiangranito.com

AGL Export House - Morbi

Ch-5, Eden Ceramic City,
Opp.Honest Hotel, National Highway,
Lalpar Road, Morbi - 363642.
Mobile: 99799 90591
E-mail: exportmorbi@aglasiangranito.com

AGL Showroom

Future Ceramic Private Limited
Nr. Adicon Ceramica Tiles Pvt, Survey No. 84P1,
84P2, 85/1, 85/2P1, 85/2P2, B/h Harikrupa
Papers LLP, 8-A NH, At Post Gala, Morbi - 363642.
Mobile: 93166 32661
E-mail: display@futureceramic.co.in

Factory Display Centre - Morbi (Sanitaryware & Faucets)

AGL Sanitaryware Pvt. Ltd.
Survey No. 153 P1, 153 P2, 154 P2, 8A National
Highway, B/h. Bahadurgadh Bus Stand,
At. Bahadurgadh, Morbi - 363642.
Mobile: 93166 32908
E-mail: export34@aglasiangranito.com

MAHARASHTRA

AGL Display Centre - Mumbai
A- 402, Citi Point, Nr. kohinoor Hotel,
Opp. ICICI Bank, J.B. Nagar,
Chakala Metro Station, Andheri (East),
Mumbai - 400 059. Mobile: 93214 95229
E-mail: mumbai showroom@aglasiangranito.com

AGL Display Centre - Mumbai (Marblex & Grestek)

Gala Impecca, Gr. Floor, Mathuradas Vasanti Rd,
Next to Courtyard Marriott, J. B. Nagar,
Kurla - Andheri Road, Andheri (East) - 400059.
Mobile : 76000 98595

AGL Display Centre - Pune

Capital Square, 1st & 2nd floor, Plot No. 5,
Opp. Kataria High School, Industrial Estate,
Mukund Nagar, Pune - 411037.
Mobile : 93717 65505

TELANGANA

AGL Display Centre - Hyderabad
202 2nd Floor & 302 3rd Floor, Kurve Elite,
Plot No. 58, Phase-1, Kamala Puri Colony Main Rd,
Opp. Krishe Meadows, Hyderabad - 500073.
Mobile: 99099 90434, 96420 11146
E-mail: hydshowroom1@aglasiangranito.com,
hydshowroom@aglasiangranito.com

TAMILNADU

AGL Display Centre - Chennai
Bascon Futura SV IT Park, 2nd Floor, 56-L,
Venkatanarayana Rd, Parthasarathi Puram,
T. Nagar, Chennai - 600017.
Mobile: 98408 47193

KARNATAKA

AGL Display Centre - Bangalore
Asian Granito India Ltd., Region Office
No. 37/17, 31/18, Brahmananda Court, Opp.
R Kannada News Channel, S.R. Nagar,
Lalbagh main road, Bangalore - 560027.
Mobile: 81605 21204
E-mail: bangloreshowroom@aglasiangranito.com

KERALA

AGL Display Centre - Kochi
No.51/2910 D2 Adjacent To Bread World,
Thykoodam Bridge Service Road,
Vytila, Kochi - 682019.
Mobile: 78618 09641
E-mail: cochinshowroom@aglasiangranito.com

WEST BENGAL

AGL Display Centre - Kolkata
5th Floor, Office No. 5A, PS SOLARIS Building,
113/H, Opp. Flaming Hospital. Matheswartala Rd.
Topsia, Kolkata - 7000046.
Mobile: 85840 65565
E-mail: kolkattashowroom@aglasiangranito.com

UTTAR PRADESH

AGL Display Centre - Noida
F-15, Ground Floor, Sector 8,
Gautam Buddha Nagar,
Noida - 201301.
Mobile: 85111 30500
E-mail: noidashowroom@aglasiangranito.com

OFFICE

GUJARAT

Corp. Office - Ahmedabad
ASIAN GRANITO INDIA LTD.
202, Dev Arc, Opp. Iskcon Temple,
S. G. Highway, Ahmedabad - 380 015.
Phone: +91 79 66125500/698
Toll Free: 1800 123 3455
E-mail: info@aglasiangranito.com

AGL Office - Morbi

B - 26, Parshwanath Complex-1
Opp. kuber Cinema, 8-A National Highway,
Lalpar Road, Morbi - 363642.
Mobile: 9825802077
E-mail: aglmorbi@aglasiangranito.com

RAJASTHAN

AGL Office - Jaipur
Lower Ground, D-5, Vaishali Nagar,
Jaipur - 302021.
Mobile: 70734 84069

MADHYA PRADESH

AGL Office - Indore
3rd Floor, Plot No 101, WB Scheme No. 94,
Sector - B, Opp. HDFC Bank,
Nr. Bombay Hospital, Indore - 452010.
Mobile: 99092 62533 / 73140 06670
E-mail: acctcindore@aglasiangranito.com

TAMIL NADU

AGL Office - Trichy
Mark Diamond Residency, No-36,
V O C Road, Cantonment, Trichy - 620001.
Mobile: 99406 00262

PUNJAB

AGL Office - Chandigarh
CCC Chandigarh City Centre, Block A
3rd Floor, Soho 325, Vip Road, Near Metro
Zirakpur, Chandigarh - 140603.
Mobile : 93163 13880, 99882 22471



Scan for
360° Tour

