



MARBLEX

800x3000mm | 800x2400mm
15mm Thickness

MARBLEX Collection

Transform spaces with
GRAND FORMAT of LUXURY

MarbleX is an exceptional collection that embodies extraordinary magnificence and refined sophistication. Designed in impressive large formats ranging from 800×2400mm to 800×3000mm, the collection redefines spatial elegance with seamless continuity and bold architectural presence.

Strength & Elegance

Engineered with durable **Full Body** technology, MarbleX is offered in two refined surface options, Polish & Matt, a technology of surfaces deliver enhanced performance with feature-rich attributes such as resistance to weather and chemicals, ease of cleaning and maintenance, and strong resistance to stains and scratches, without the need for special care.

Crafted using premium natural stone raw materials, MarbleX achieves superior strength while enhancing aesthetic appeal, making it a powerful choice for both visual impact and long-term performance. Recommended for residential as well as commercial applications, MarbleX helps create your envisioned ambiance with confidence, comfort, and lasting luxury.

Size: **800x3000mm** | **800x2400mm**

Surface: **Polish & Matt**

Thickness: **15mm** 

No. of Designs	No. of Shades	No. of Surface	No. of Sku's
13	41	05	77

Designed Exclusive for
'MARBLEX' Segment



MARBLEX



Natural Beauty With Advanced Engineering

Blending natural beauty with advanced engineering, stone tiles enhance spaces with a refined, earthy appeal. They offer excellent resistance, stability, and functionality, making them ideal for both aesthetic expression and practical performance.

TECHNICAL FEATURES



Scratch and
Abrasion Resistant



Resistant to Chemicals,
Acids, Bases, and Solvents



Easy to Clean
Surface



Resistant to
Fire and Heat



Frost Resistant
Surface



Flatness and
Stability Over Time



Hygienic and Suitable for
Contact with Food



Water Resistant
Surface



Stain Resistant
Surface



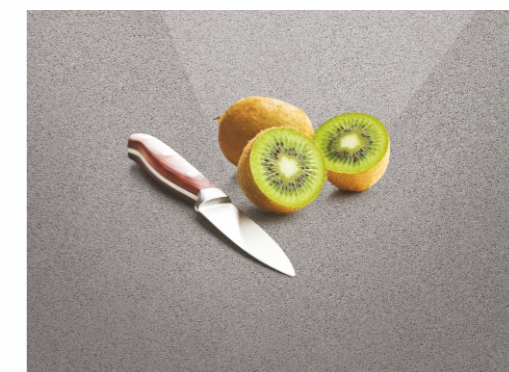
Impact Resistant
Surface



Resistant to
UV Rays



Resistant to Mould,
Mildew, And Fungus



SURFACES FOR EVERY SPACE

Matt
Surface

Polish
Surface

Application Areas



Countertop



Staircase



Dining tabletop



Window & Door Frame



Lift Frame



Basin & Furniture



Bathroom



Fireplace



Worktop



Wall Cladding



Elevation



Floor Covering



BIG SIZE SLABS

800x
3000mm

800x
2400mm



15mm
Thickness

The **15mm** thickness of the surfaces assures that spaces are sturdy, durable, and resilient with their toughness. These surfaces allow you to enjoy your spaces without worry.

INDEX

800x3000mm

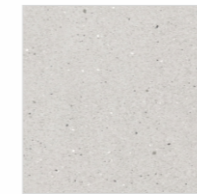
Klean Series (Full Body)

Polish & Matt

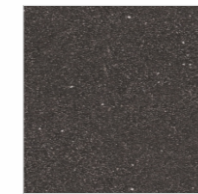
Klean White



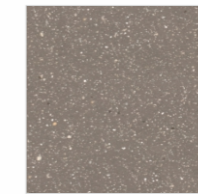
Klean Gain Stone



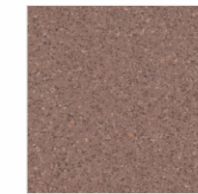
Klean Black



Klean Dorian Grey



Klean Burly



Klean Moon Mist



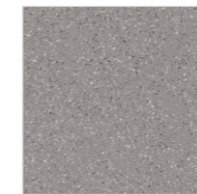
Graniti Series (Full Body)

Polish & Matt

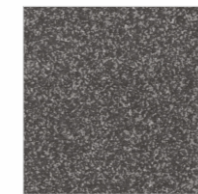
Graniti Bianco



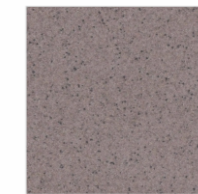
Graniti Gris



Graniti Nero



Graniti Brown



Graniti Taupe



Graniti Crema



Plain Colours (Full Body)

Golden Brown



Diamond Nero

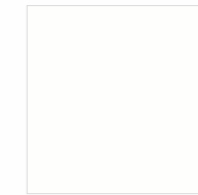


Gris



Plain Colours (Colour Body)

Snow White



Nero

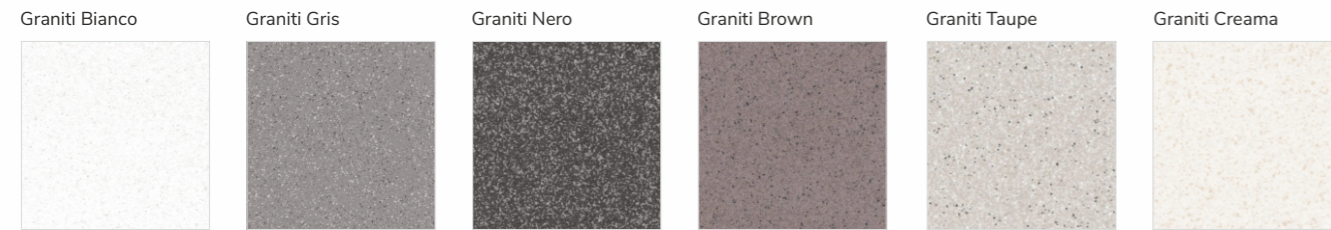


INDEX

800x2400mm

Graniti Series (Full Body)

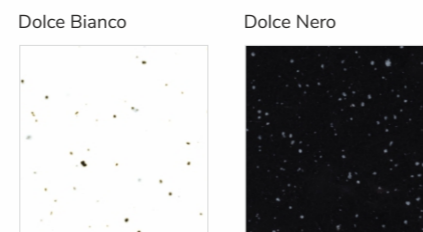
Polish & Matt



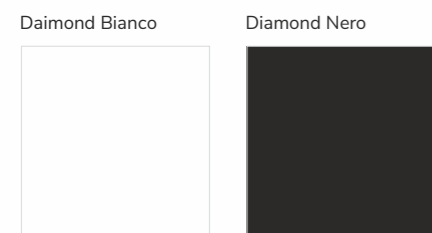
Sentir Series



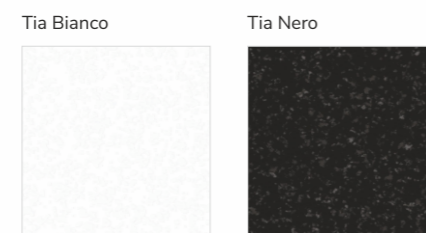
Dolce Series



Diamond Series (Full Body)



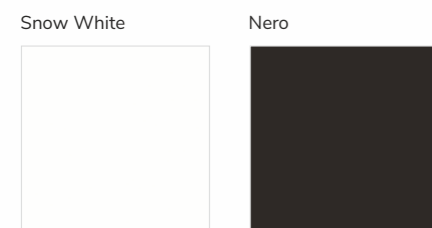
Tia Series (Colour Body)



Bianco Series

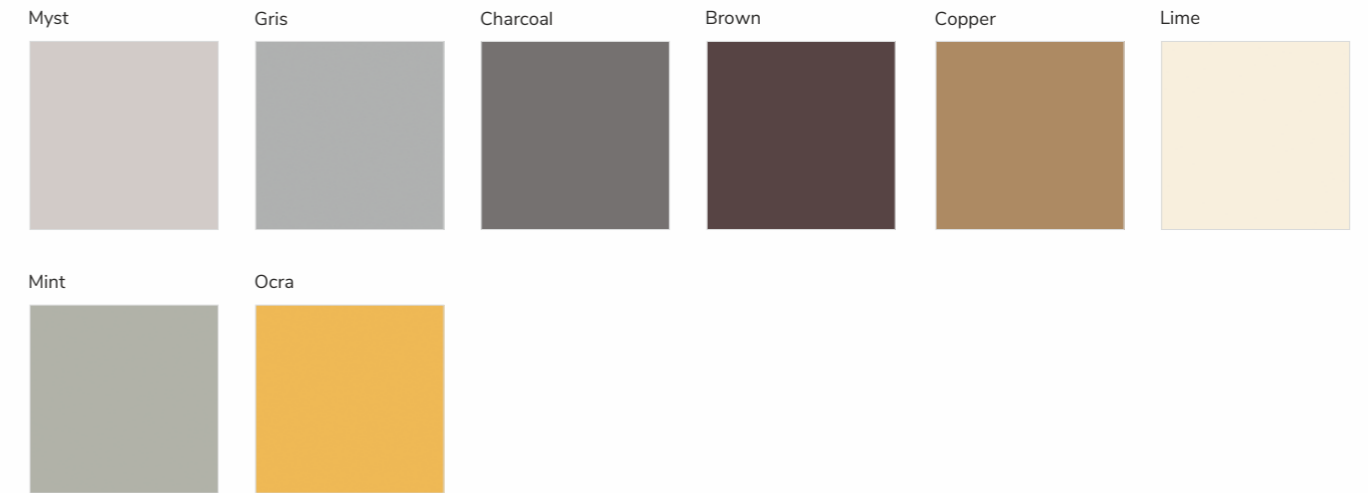


Plain Colours (Colour Body)

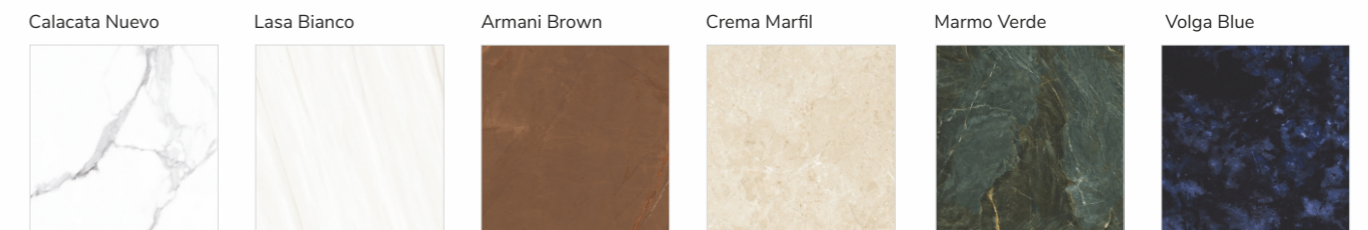


Cromatic Series (Full Body)

Polish & Matt



Marble Series (Colour Body)





Klean White
 Surface - Polish | Manteca (Matt)
 Type - Full Body



Klean Gain Stone
 Surface - Polish | Manteca (Matt)
 Type - Full Body



Klean Black
 Surface - Polish | Manteca (Matt)
 Type - Full Body





Klean Moon Mist (Manteca Matt)



Klean Dorian Grey
 Surface - Polish | Manteca (Matt)
 Type - Full Body

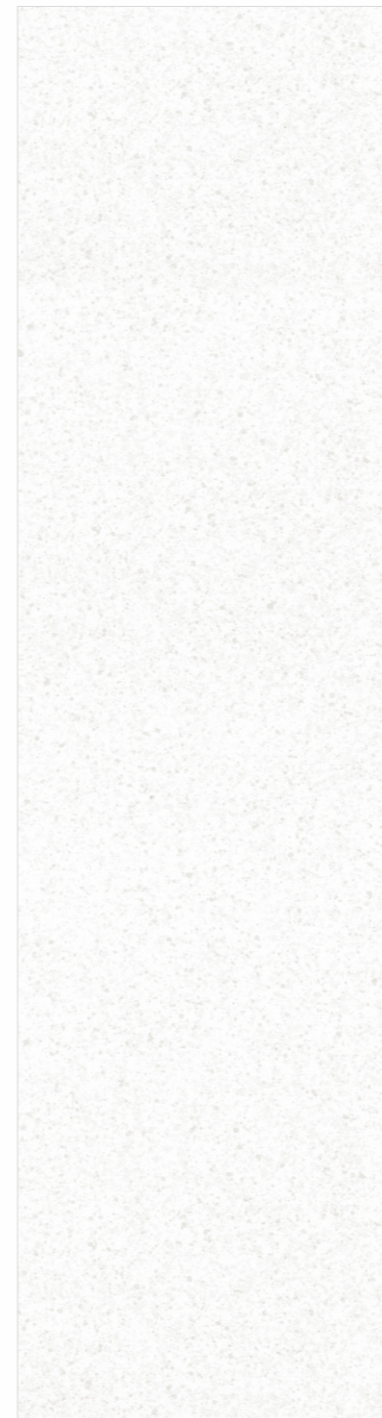


Klean Burlly
 Surface - Polish | Manteca (Matt)
 Type - Full Body

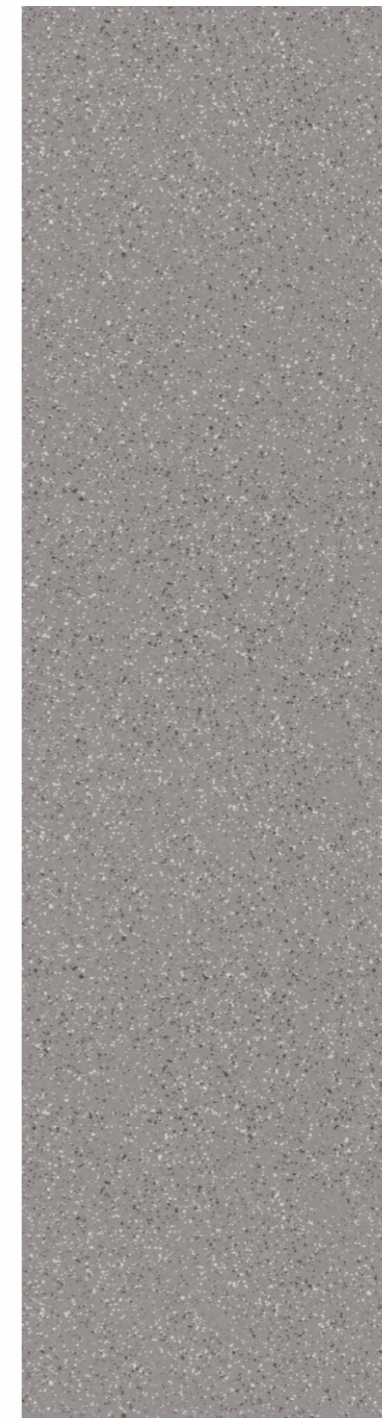


Klean Moon Mist
 Surface - Polish | Manteca (Matt)
 Type - Full Body

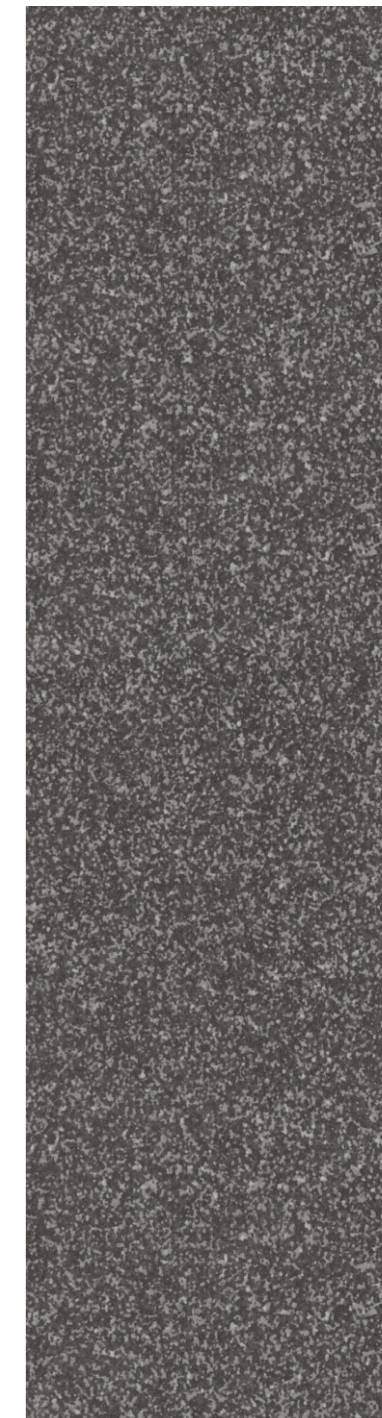




Graniti Bianco (Polish)
Rock Graniti Bianco (Matt)
Surface - Polish | Matt
Type - Full Body



Graniti Gris (Polish)
Rock Graniti Gris (Matt)
Surface - Polish | Matt
Type - Full Body



Graniti Nero (Polish)
Rock Graniti Nero (Matt)
Surface - Polish | Matt
Type - Full Body





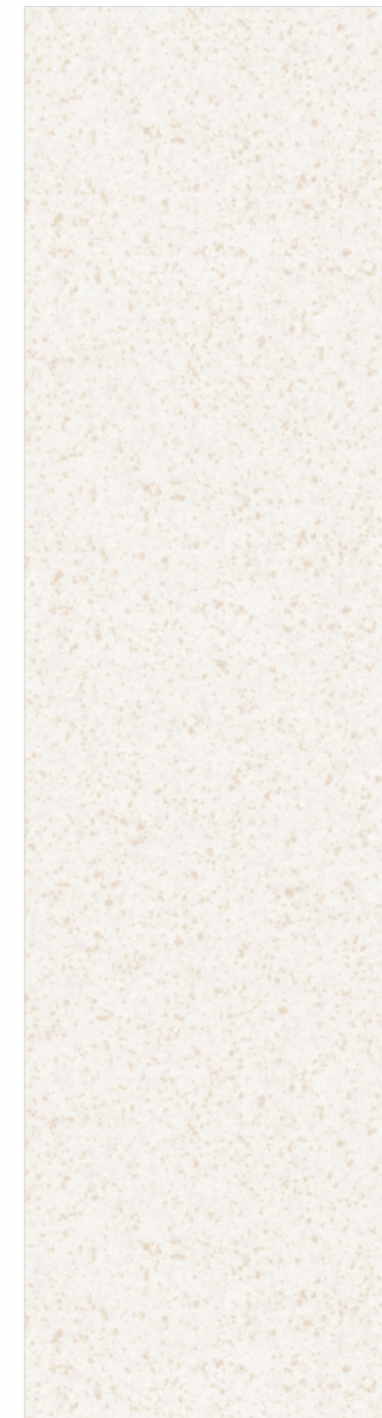
Graniti Brown (Polish)



Graniti Brown (Polish)
 Rock Graniti Brown (Matt)
 Surface - Polish | Matt
 Type - Full Body



Graniti Taupe (Polish)
 Rock Graniti Taupe (Matt)
 Surface - Polish | Matt
 Type - Full Body



Graniti Crema (Polish)
 Rock Graniti Crema (Matt)
 Surface - Polish | Matt
 Type - Full Body

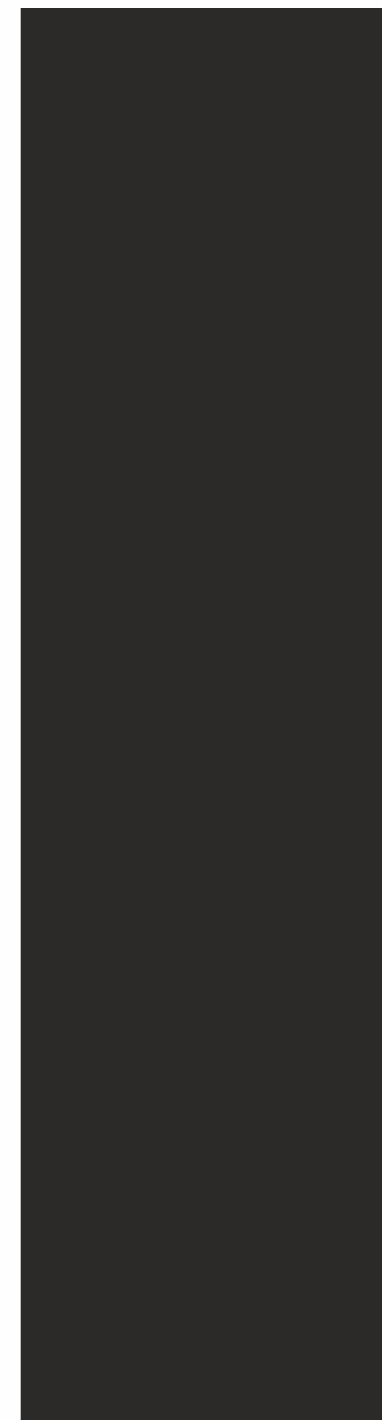




Golden Brown (Polish)



Golden Brown
Surface - Polish
Type - Full Body



Diamond Nero
Surface - Polish
Type - Full Body

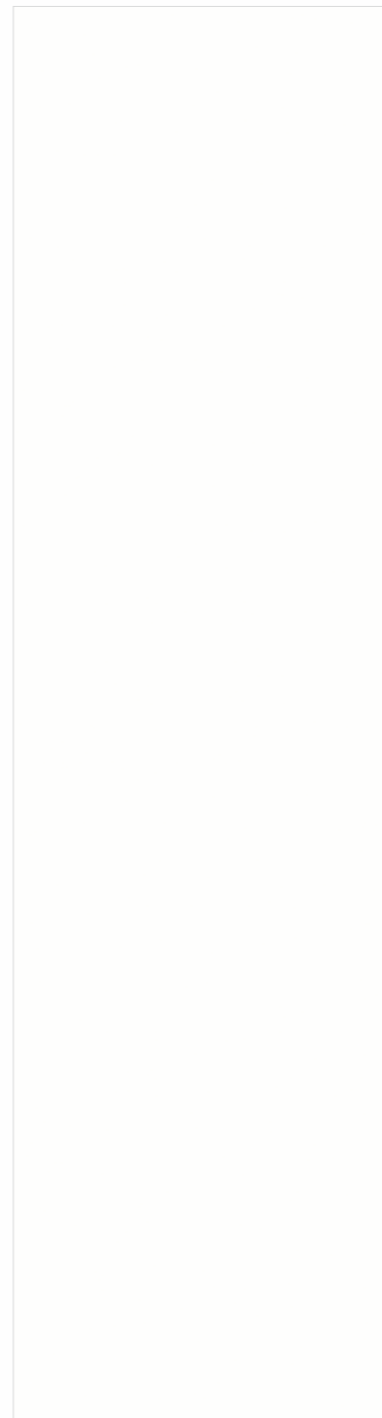


Gris
Surface - Polish
Type - Full Body

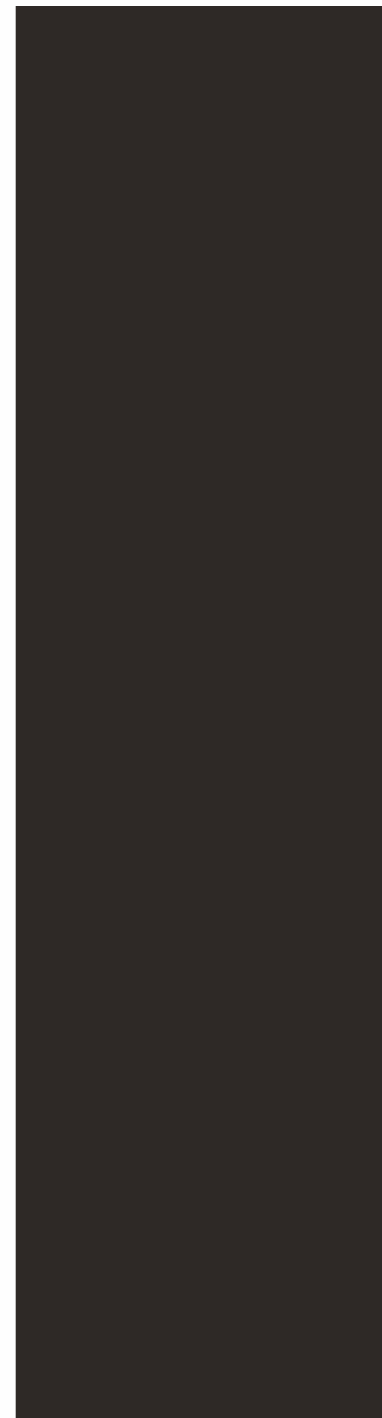




Snow White (Glossy)



Snow White
Surface - Glossy
Type - Color Body



Nero
Surface - Glossy
Type - Color Body





Sentir White
Surface - Polish
Type - Full Body



Sentir Grey
Surface - Polish
Type - Full Body





Sentir Bianco
Surface - Polish
Type - Full Body



Sentir Barly
Surface - Polish
Type - Full Body

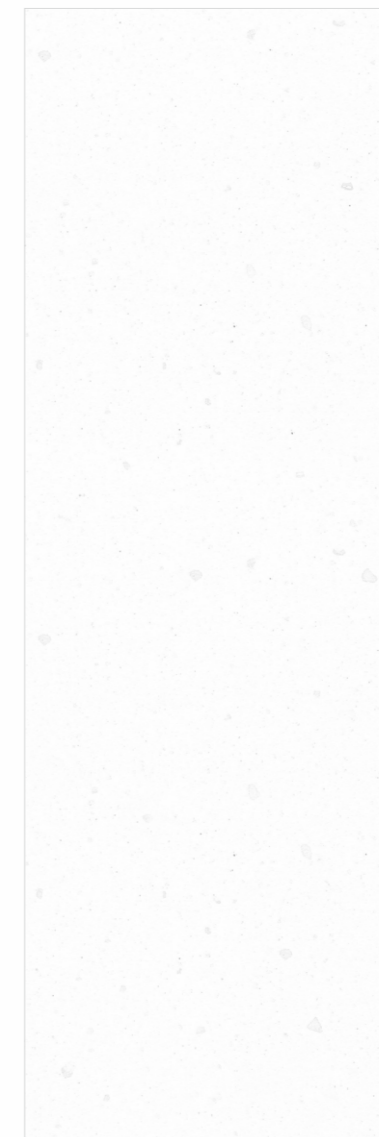




Dolce Bianco
Surface - Polish
Type - Full Body

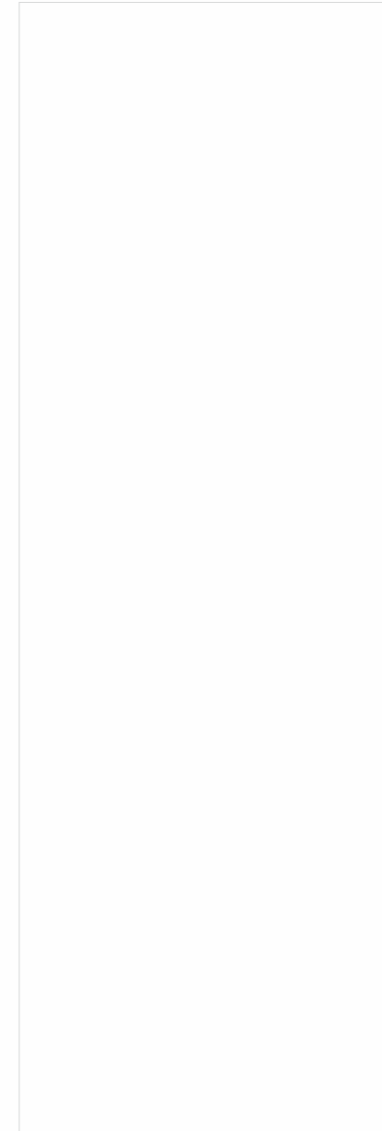


Dolce Nero
Surface - Polish
Type - Full Body

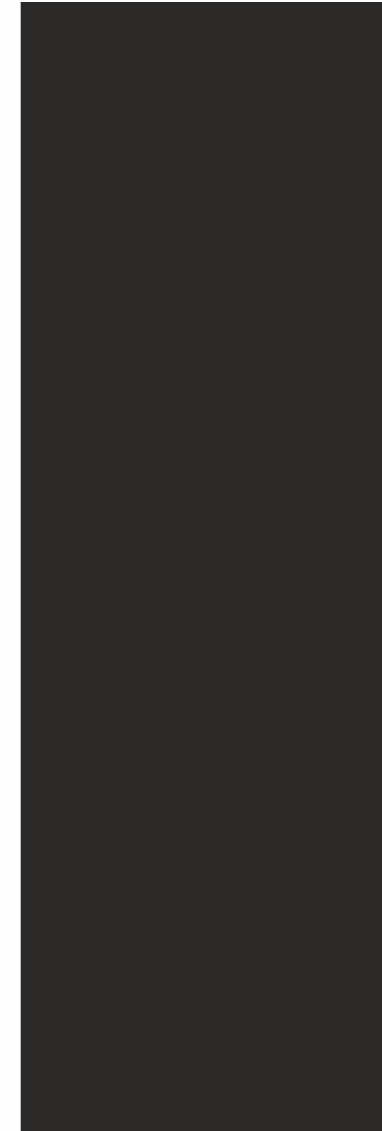


Linoleum Bianco
Surface - Polish
Type - Full Body



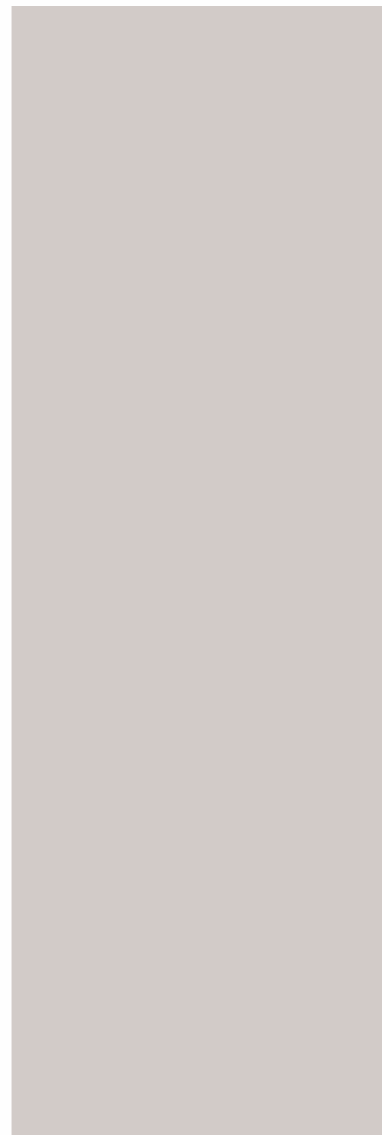


Daimond Bianco
Surface - Polish
Type - Full Body



Diamond Nero
Surface - Polish
Type - Full Body





Myst
Surface - Polish | Matt
Type - Full Body



Gris
Surface - Polish | Matt
Type - Full Body



Charcoal
Surface - Polish | Matt
Type - Full Body

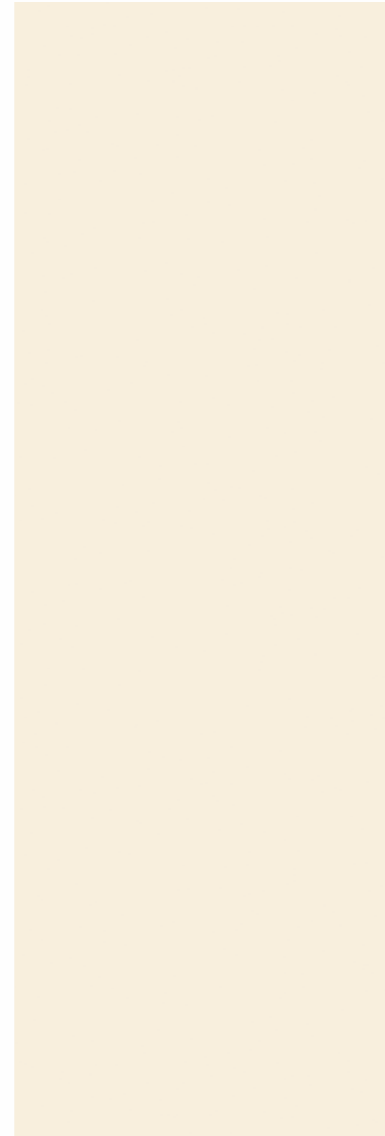




Brown
Surface - Polish | Matt
Type - Full Body



Copper
Surface - Polish | Matt
Type - Full Body



Lime
Surface - Polish | Matt
Type - Full Body



Mint
Surface - Polish | Matt
Type - Full Body



Ocra
Surface - Polish | Matt
Type - Full Body





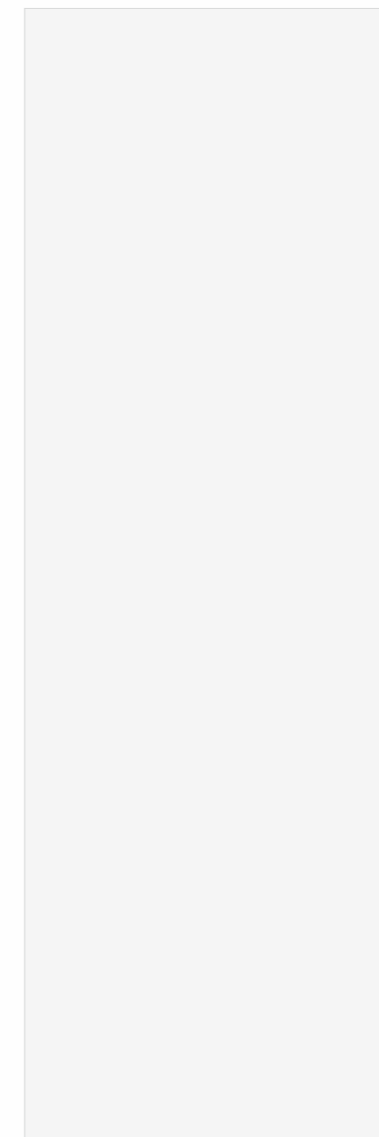
Tia Nero (Carving)



Tia Bianco
Surface - Carving
Type - Color Body



Tia Nero
Surface - Carving
Type - Color Body



Pearl Bianco
Surface - Glossy
Type - Color Body





Calacata Nuevo
 Surface - High Gloss
 Type - Color Body
 Random - 03



Lasa Bianco
 Surface - High Gloss
 Type - Color Body
 Random - 02

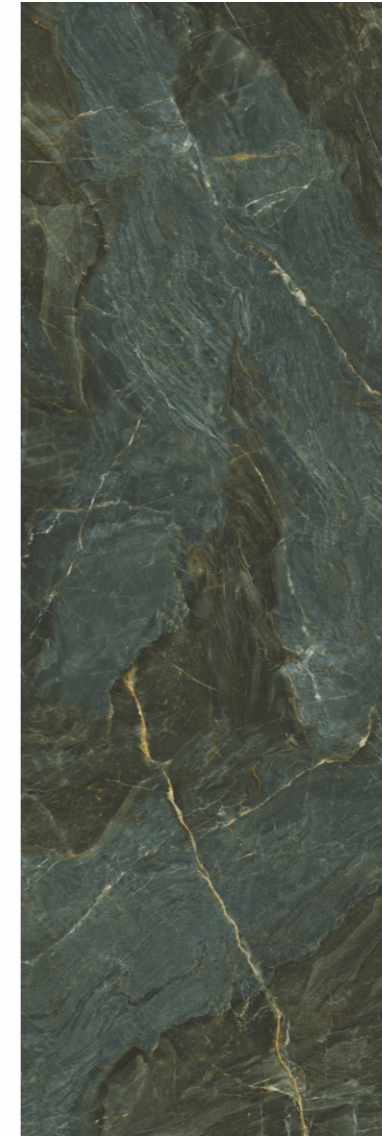


Armani Brown
 Surface - High Gloss
 Type - Color Body
 Random - 03

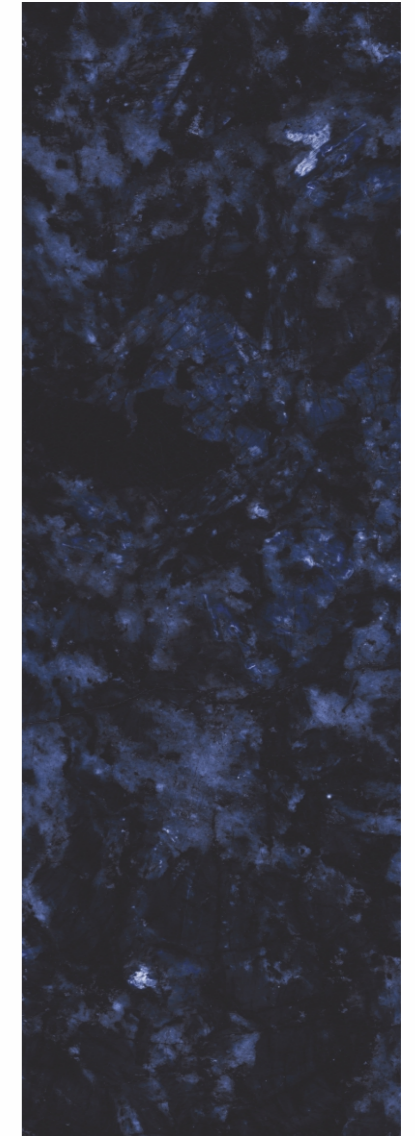




Crema Marfil
Surface - High Gloss
Type - Color Body
Random - 02



Marmo Verde
Surface - High Gloss
Type - Color Body
Random - 02



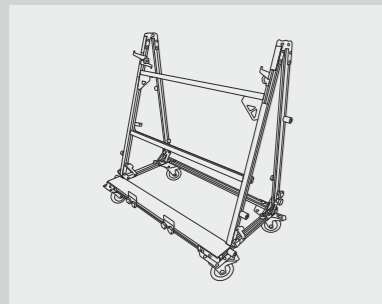
Volga Blue
Surface - High Gloss
Type - Color Body
Random - 02



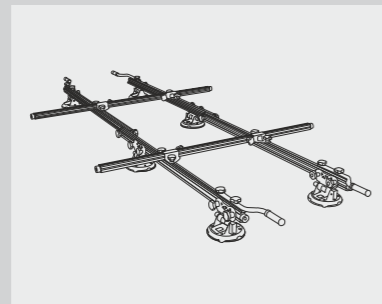
Slab Handling

Tools suggested for handling

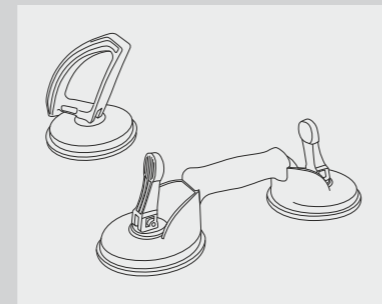
For handling the enormously sized slabs from AGL, we recommend careful handling with the help of four handlers at the same time in case of the largest size and at least two handlers for the smaller sizes of the slabs.



Reinforced trolley



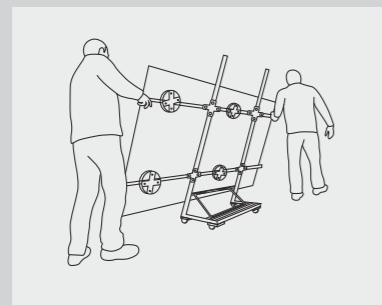
Parallel & transverse guides



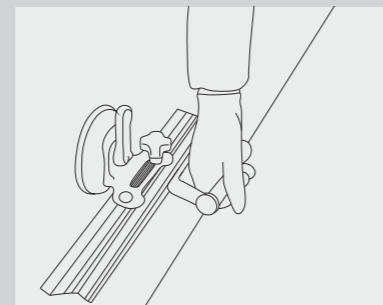
Single & Double suction cup

Handling instructions

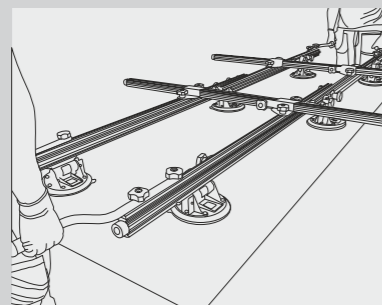
AGL recommends the use of a kit of devices designed especially for the handling of large-size slabs.



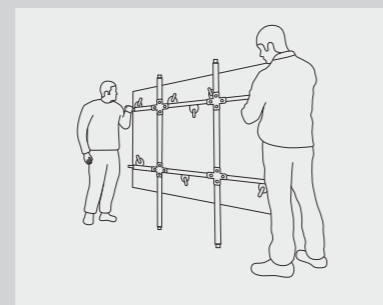
We recommend carrying out the handling job of the slabs with four handlers at the same time.



Ensure proper suction with a vacuum between the device and the slab and use a single device/suction cup for a maximum length of up to 150cms.



To lift the slabs use suction cups after cleaning the slab and cups with a damp sponge. Make sure the device also has suckers that run along with the guides and adhere to the slab.



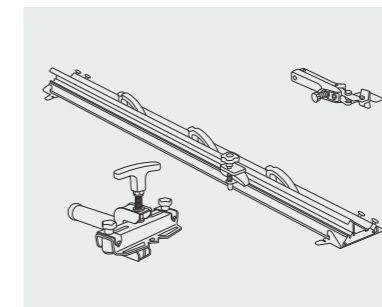
To lift the slab use guides from the long sides of the slab and lift/hang it vertically to the handles of the trolley frame. Use appropriate size reinforced trolley for various sizes of slabs.

Slab Cutting & Drilling

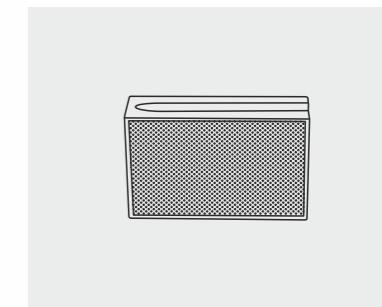
Tools suggested for cutting and drilling



Workbench with aluminum profiles

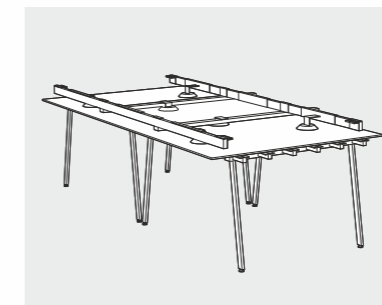


Cutting unit

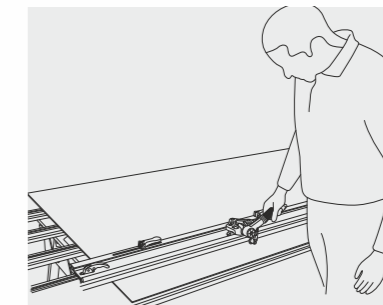


Diamond polishing pads

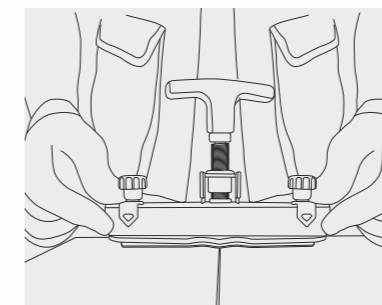
Manual cutting instructions



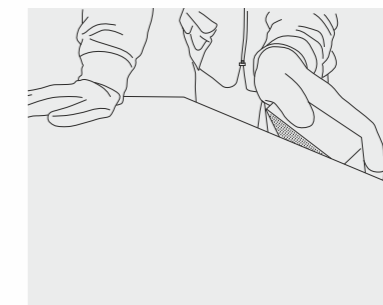
Lay the slab on a flat surface and preferably on a workbench with aluminum profiles. Make sure the surface is stable for both cutting and drilling.



Make markings on the slab according to the desired cutting and drilling need.



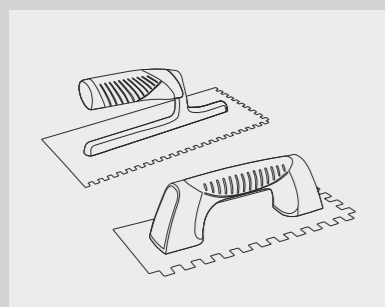
After scoring the length and making the cut, move the slab out of the workbench till the incision line and split from both sides using cutting-off pliers.



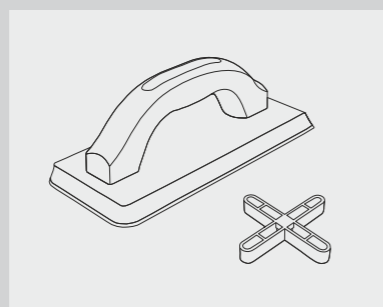
Smooth the edges of the length cut with a diamond polishing pad.

Slab Laying

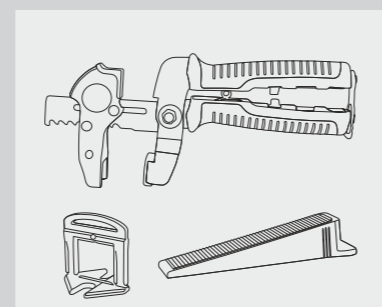
Tools suggested for Laying



3mm & 10mm trowel



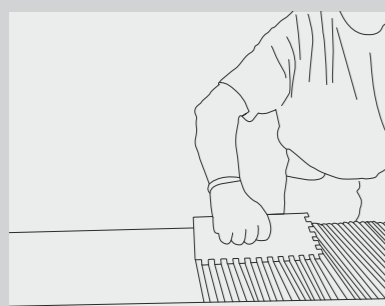
Rubber trowel & spacers



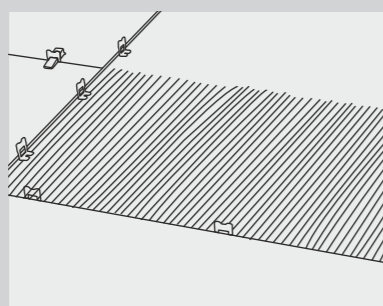
Device for plate's pulling over and leveling wedges & clips

Slab Laying Instructions

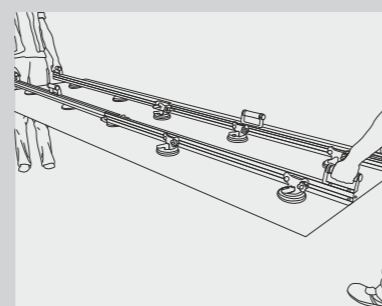
Check the laying substrate. Make sure it is clean, mature, and homogeneous with no cracks.



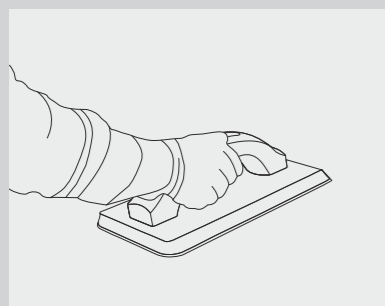
Apply adhesive onto the back of the slab with a 3mm trowel in one direction only.



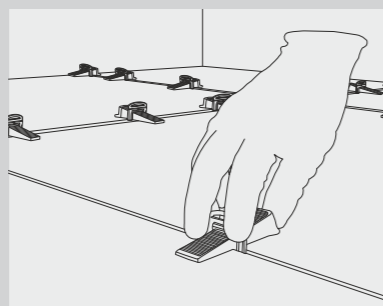
Apply adhesive onto the floor substrate at the same time while applying on the slab with a 15mm U-notch or 19mm V-notch trowel in the same direction as the slabs.



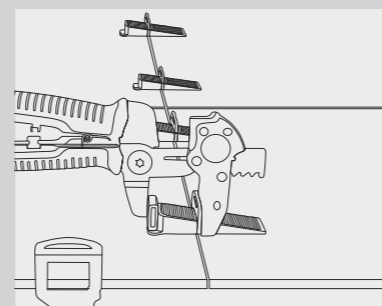
Position the slab on the adhesive bed with a sucker frame with adjustment of a minimum of 3mm joint.



Tap the slab from the center to the edges with a rubber trowel to expel air. Make sure air is expelled and there is no bubble between the slab and the substrate.

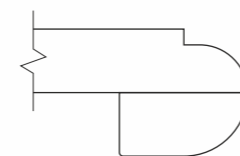


Complete the laying of the slab with a suitable sealant while keeping a 3mm joint through spacers. The special device of pulling over the slabs can be used for easy laying and spacing.

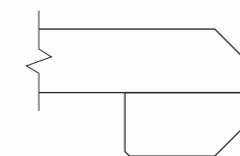


Level the wedges at each linear meter of the slab.

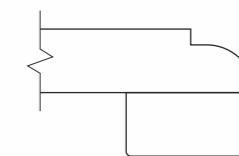
Slab Edge Possibilities



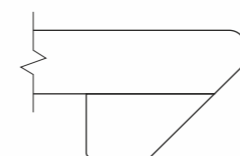
1-1/2" Dupont Bullnose



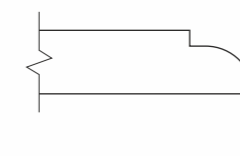
1-1/2" Pencil Edge



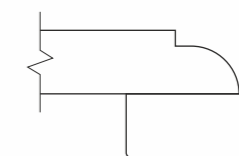
1-1/2" Dupont Square



1-1/2" Reverse Bevel



3/4" Dupont Demi



1-1/2" Dupont Step Square

Cleaning & Maintenance

High-quality raw materials, rigorous production parameters, and world-class technology at AGL make the exclusive offering nonporous and thus no dust or deposited waste penetrates the surface.

The no-maintenance surfaces require only a damp cloth for cleaning.

Routine and recurring cleaning spotlights the aesthetic features of the surfaces and keeps the surfaces shining.

For cleaning contamination and stains caused by some common food and other material follow the table below:

TYPE OF STAIN	CHEMICAL PRODUCT	EXAMPLE
Grease	Alkaline - Solvent	Detergent
Oil	Solvent	Ammonia, Baking Soda
Ink	Oxidant - Solvent	Alcohol, Liquid Bleach, Nail Paint Remover
Rust	Acid	Hydrochloric Acid, Vinegar, Red Harpic
Lime	Acid	Descaling Agent, Hydrochloric Acid
Cement	Acid	Hydrochloric Acid
Wine	Alkaline	Ammonia, Liquid Bleach
Coffee	Alkaline - Solvent	Ammonia, Liquid Bleach
Rubber	Solvent	Alcohol, Thinner
Plaster	Acid	Hydrochloric Acid
Candle Wax	Solvent	Alcohol, Thinner
Iodine	Oxidant	Liquid Bleach
Blood	Oxidant	Liquid Bleach
Ice Cream	Alkaline	Liquid Bleach

Note: It is recommended that any kind of stain needs to get cleaned immediately/as soon as possible.

CHARACTERISTIC	STANDARD AS PER ISO13006:2018/ EN14411 Gr.B1a	STANDARD AS PER IS 15622:2017 Gr.B1a	MEAN VALUE OF AGL	METHOD OF TESTING
Regulatory Properties				
Deviation in Length and Width	±0.30 %	±0.10 %	± 0.10 %	ISO 10545-2/IS 13630-1
Deviation in Thickness	±5.0 %	±5.0 %	± 5.0 %	ISO 10545-2/IS 13630-1
Straightness in Side	±0.30 %	±0.10 %	± 0.10 %	ISO 10545-2/IS 13630-1
Rectangularity	±0.30 %	±0.10%	± 0.10 %	ISO 10545-2/IS 13630-1
Surface Flatness Central Curvature	±0.40 %	±0.50 %	± 0.20 %	ISO 10545-2/IS 13630-1
Surface Flatness Edge Curvature	±0.40 %	±0.50 %	± 0.20 %	ISO 10545-2/IS 13630-1
Surface Flatness Warpage	±0.40 %	±0.50 %	± 0.10 %	ISO 10545-2/IS 13630-1
Surface Quality	>95% defects free	>95% defects free	>95% defects free	ISO 10545-2/IS 13630-1
Small Color Difference (For Plain Colour)	ΔE <1.00	N.A.	ΔE <0.80	ISO 10545-16
Glossiness (Polished)	As per Manufacturer	As per Manufacturer	≥ 90	Gloss Meter 60°
Glossiness (Satin)	As per Manufacturer	As per Manufacture	7 ≤ Gloss Value ≤ 25	Gloss Meter 60°
Structural Properties				
Water Absorption	≤0.50 %	≤0.080 %	≤0.080 %	ISO 10545-3/IS 13630-2
Bulk Density	As per Manufacturer	Min 2.20 g/cc	> 2.28 gm/cc	ISO 10545-3/IS 13630-2
Massive Mechanical Properties				
Modulus of Rupture	Min. 35.0 N/mm ²	Min. 35.0 N/mm ²	Min. 40.0 N/mm ²	SO 10545-4/IS 13630-6
Breaking Strength Thickness ≥7.5 mm	Min 1300.0 N	Min 1300.0 N	Min 6000.0 N	ISO 10545-4/IS 13630-6
Surface Mechanical Properties				
Mohs Hardness #	As per Manufacturer	Min. 5	Polished Min 4**/ Manteca Matt Min 6	BS EN 15771/IS 13630-13
Surface Abrasion Resistance #	As per Manufacturer	Min. Class II	Polished Min II**/ Manteca Matt Min III	ISO 10545-7/IS 13630-11
Thermal Hygrometric Properties				
Moisture Expansion	Max 0.06% (0.6 mm/m)	Max 0.02 mm/m	Max 0.02 mm/m	ISO 10545-10/IS 13630-3
Thermal Expansion(COE) at 100°C	As per Manufacturer	Max. 6.0 x 10 ⁻⁶	Max. 6.0 x 10 ⁻⁶	ISO 10545-8/IS 13630-4
Thermal Shock Resistance	Min 10 Cycles	Min 10 Cycles	Min 10 Cycles	ISO 10545-9/IS 13630-5
Impact Resistance(COR) #	Min. 0.55	Min 0.55	Min 0.55	ISO 10545-5/IS 13630-14
Frost Resistance	As per Manufacturer	As per Manufacturer	Frost Proof	ISO 10545-12/IS 13630-10
Crazing Resistance at 7.5 bar	4 Cycles	4 Cycles	4 Cycles	ISO 10545-11/IS 13630-9
Chemical Properties				
Resistance to Staining Glazed	Min. Class 3	Min Class 1	Min. Class 3/Min. Class 1	ISO 10545-14/IS 13630-8
Resistance to Household Chemicals & Swimming Pool Salts Glazed	Min Class GB	Min Class AA	Min Class GB/Min Class AA	ISO 10545-13/IS 13630-8
Resistance to Low Concentrate Acid and Alkalis Glazed	As per Manufacturer	As per Manufacturer	Min Class GLB***/ Min Class A***	ISO-10545-13/IS 13630-8
Resistance to High Concentrate Acid and Alkalis Glazed	As per Manufacturer	As per Manufacturer	Min Class GHB***/ Min Class A***	ISO-10545-13/IS 13630-8
Safety Properties				
Skid Resistance - (DCOF-WET PENDULUM)##	As per Manufacturer	As per Manufacturer	Glossy ≥P0, Manteca Matt ≥P1	BS 7976-2
Slip Resistance -Satin/Posh (DCOF- R Value)##	As per Manufacturer	As per Manufacturer	R9 to R10	DIN 51130
Lead and Cadmium release	As per Manufacturer	N.A.	Does not yield Pb &Cd	ISO-10545-15

Packing Detail

Size (mm)	Thickness (mm)	No. of Tiles / Box	Area Sq. mtr./ Sq. Ft. Box
800x3000mm	15 mm	1 pcs.	2.40m ² / 25.83 sq. ft.
800x2400mm	15 mm	1 pcs.	1.92m ² / 20.67 sq. ft.

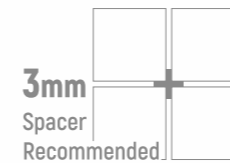
NOTES & RECOMMENDATION

NOTES

- All Technical Specifications in This Catalogue are for Premium Grade Material only.
 - SHADE/SIZE VARIATION are inherent characteristics to ceramics. Certain products purposely have variations which are part of design & process. The same have been indicated.
 - It is recommended to blend tiles by mixing tiles from various boxes & check for natural hue before fixing the tiles.
 - It is recommended to check the tiles before laying/fixing. Quality standards cover 1st/Premium Quality only.
 - Company's liability is limited on material that has not been laid.
 - NO COMPLAINT SHALL BE ENTERTAINED ON TILES ALREADY FIXED/LAID.
 - The liability is also limited to the material supplied by the company; no other claim is entertained under any circumstances.
 - No complaint is entertained on decoration done on tiles, other than the ones done by Asian Granito India Ltd.
- GENERAL NOTE : Any complaint must be brought to the company's notice within 10 days of purchase & before fixing of tiles.

How to avoid defects & complaints :

- Use good quality Tiles
- Choose good quality Tiles, with proper consideration to area intended of usage.
- Avoid careless laying of Tiles
- Avoid poor maintenance-for instance, by cleaning with strong Chemicals or with abrasive equipment e.g. metallic scrubber
- Always keep Tiled area clean & ensure dusting/mopping regularly
- Put Doormats/Foot-mats at all strategic locations to avoid loose debris/dust from entering the Tiled area



List of Detergents For Removal of Stain

STAIN (Created By)	Beer	Blood	Calcar	Cement	Cigarette	Soft Drinks	Coffee	Edible Oil	Glue	Ice Cream	Ink	Juices	Marker Ink	Nicotine	Paints	Resin	Rust	Tar	Tea	Turmeric	Wine
SOLVENTS (Turpentine, acetone, trichloroety - line etc.)								•	•		•		•			•					
SODIUM HYPO (Chlorite (NaOCL))												•								•	
ACIDS DILUTED (Hydrochloric acid*)			•	•	•						•			•	•		•			•	
ALKALI (Sodium hydroxide/potassium hydroxide)	•	•				•	•			•											•

*Commercial grade shall not be used

DISCLAIMER : Asian Granito India Ltd. reserves the right to delete & amend either totally or partially, any of the colors, shapes, sizes, references and other technical specifications contained in this catalogue at anytime. The colors shown of tiles in this catalogue are purely illustrative and limited to printing process. Please refer actual sample before final selection. The details of sizes, colors, references should be verified for typographical errors. All complaints need to be reported within 10 days of purchase. Always follow instructions to avoid complaint due to bad masonry.

CORPORATE OFFICE & BRANCHES



DISPLAY CENTRE & OFFICE

GUJARAT

Display Centre - Ahmedabad

AGL Luxury Tile Arcade

S.G. Highway, Nr. Gota Cross Road,
Beside Gota over bridge, Ahmedabad - 382481.

Mobile: 98258 03713 / 99099 29920

E-mail: asianworld.amd@aglasiangranito.com

AGL Export House - Morbi

Ch-5, Eden Ceramic City,
Opp.Honest Hotel, National Highway,
Lalpar Road, Morbi - 363642.

Mobile: 99799 90591

E-mail: exportmorbi@aglasiangranito.com

AGL Showroom

Future Ceramic Private Limited

Nr. Adicon Ceramica Tiles Pvt, Survey No. 84P1,
84P2, 85/1, 85/2P1, 85/2P2, B/h Harikrupa
Papers LLP, 8-A NH, At Post Gala, Morbi - 363642.

Mobile: 93166 32661

E-mail: display@futureceramic.co.in

Factory Display Centre - Morbi

(Sanitaryware & Faucets)

AGL Sanitaryware Pvt. Ltd.

Survey No. 153 P1, 153 P2, 154 P2, 8A National
Highway, B/h. Bahadurgadh Bus Stand,
At. Bahadurgadh, Morbi - 363642.

Mobile: 93166 32908

E-mail: export34@aglasiangranito.com

MAHARASHTRA

AGL Display Centre - Mumbai

A- 402, Citi Point, Nr. kohinoor Hotel,
Opp. ICICI Bank, J.B. Nagar,
Chakala Metro Station, Andheri (East),
Mumbai - 400 059. Mobile: 93214 95229
E-mail: mumbaishowroom@aglasiangranito.com

AGL Display Centre - Mumbai

(Marblex & Grestek)

Gala Impecca, Gr. Floor, Mathuradas Vasanji Rd,
Next to Courtyard Marriott, J. B. Nagar,
Kurla - Andheri Road, Andheri (East) - 400059.
Mobile : 76000 98595

AGL Display Centre - Pune

Capital Square, 1st & 2nd floor, Plot No. 5,
Opp. Kataria High School, Industrial Estate,
Mukund Nagar, Pune - 411037.
Mobile : 93717 65505

TELANGANA

AGL Display Centre - Hyderabad

202 2nd Floor & 302 3rd Floor, Kurve Elite,
Plot No. 58, Phase-1, Kamala Puri Colony Main Rd,
Opp. Krishe Meadows, Hyderabad - 500073.

Mobile: 99099 90434, 96420 11146

E-mail: hydshowroom1@aglasiangranito.com,
hydshowroom@aglasiangranito.com

TAMILNADU

AGL Display Centre - Chennai

Bascon Futura SV IT Park, 2nd Floor, 56-L,
Venkatanarayana Rd, Parthasarathi Puram,
T. Nagar, Chennai - 600017.

Mobile: 98408 47193

KARNATAKA

AGL Display Centre - Bangalore

Asian Granito India Ltd., Region Office

No. 37/17, 31/18, Brahmananda Court, Opp.
R Kannada News Channel, S.R. Nagar,
Lalbagh main road, Bangalore - 560027.

Mobile: 81605 21204

E-mail: bangloreshowroom@aglasiangranito.com

KERALA

AGL Display Centre - Kochi

No.51/2910 D2 Adjacent To Bread World,
Thykoodam Bridge Service Road,
Vytila, Kochi - 682019.

Mobile: 78618 09641

E-mail: cochinshowroom@aglasiangranito.com

WEST BENGAL

AGL Display Centre - Kolkata

5th Floor, Office No. 5A, PS SOLARIS Building,
113/H, Opp. Flaming Hospital. Matheswartala Rd.
Topsia, Kolkata - 700046.

Mobile: 85840 65565

E-mail: kolkattashowroom@aglasiangranito.com

UTTAR PRADESH

AGL Display Centre - Noida

F-15, Ground Floor, Sector 8,
Gautam Buddha Nagar,
Noida - 201301.

Mobile: 85111 30500

E-mail: noidashowroom@aglasiangranito.com

OFFICE

GUJARAT

Corp. Office - Ahmedabad

ASIAN GRANITO INDIA LTD.

202, Dev Arc, Opp. Iskcon Temple,
S. G. Highway, Ahmedabad - 380 015.

Phone: +91 79 66125500/698

Toll Free: 1800 123 3455

E-mail: info@aglasiangranito.com

AGL Office - Morbi

B - 26, Parshwanath Complex-1
Opp. kuber Cinema, 8-A National Highway,
Lalpar Road, Morbi - 363642.

Mobile: 9825802077

E-mail: aglmorbi@aglasiangranito.com

RAJASTHAN

AGL Office - Jaipur

Lower Ground, D-5, Vaishali Nagar,
Jaipur - 302021.

Mobile: 70734 84069

MADHYA PRADESH

AGL Office - Indore

3rd Floor, Plot No 101, WB Scheme No. 94,
Sector - B, Opp. HDFC Bank,
Nr. Bombay Hospital, Indore - 452010.

Mobile: 99092 62533 / 73140 06670

E-mail: acctindore@aglasiangranito.com

TAMIL NADU

AGL Office - Trichy

Mark Diamond Residency, No-36,
V O C Road, Cantonment, Trichy - 620001.

Mobile: 99406 00262

PUNJAB

AGL Office - Chandigarh

CCC Chandigarh City Centre, Block A
3rd Floor, Soho 325, Vip Road, Near Metro
Zirakpur, Chandigarh - 140603.

Mobile : 93163 13880, 99882 22471





Asian Granito India Ltd.

Regd. & Corp. Office

202, Dev Arc, Opp. Iskcon Temple, S.G. Highway,
Ahmedabad - 380 015, Gujarat, INDIA

Phone: +91 79 66125500/698 | CIN: L17110GJ1995PLC027025

E-mail : info@aglasiangranito.com | Web : www.aglasiangranito.com

Follow Us:    



1800 123 3455
Toll-free: Mon-Sat 10am-6pm

ONE SCAN AWAY TO EXPLORE MORE ABOUT US



SCAN CODE TO
DOWNLOAD
AGL TILES APP



SCAN CODE TO
DOWNLOAD
CATALOGUE



SCAN TO FIND
EXCLUSIVE
STORE